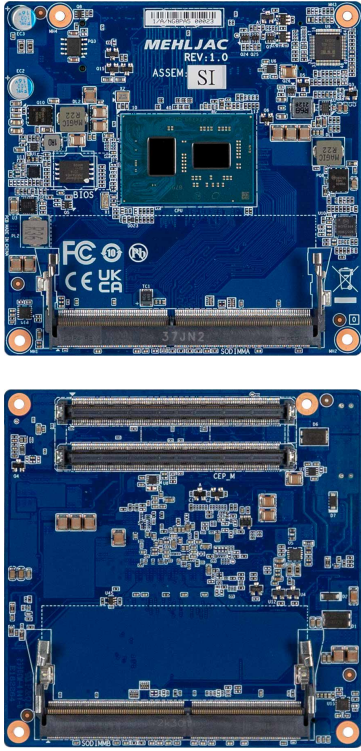


CE6-6412A (MEHLJAC)

COM Express Type 6 Compact Size with Intel® J6412 Processor



Features

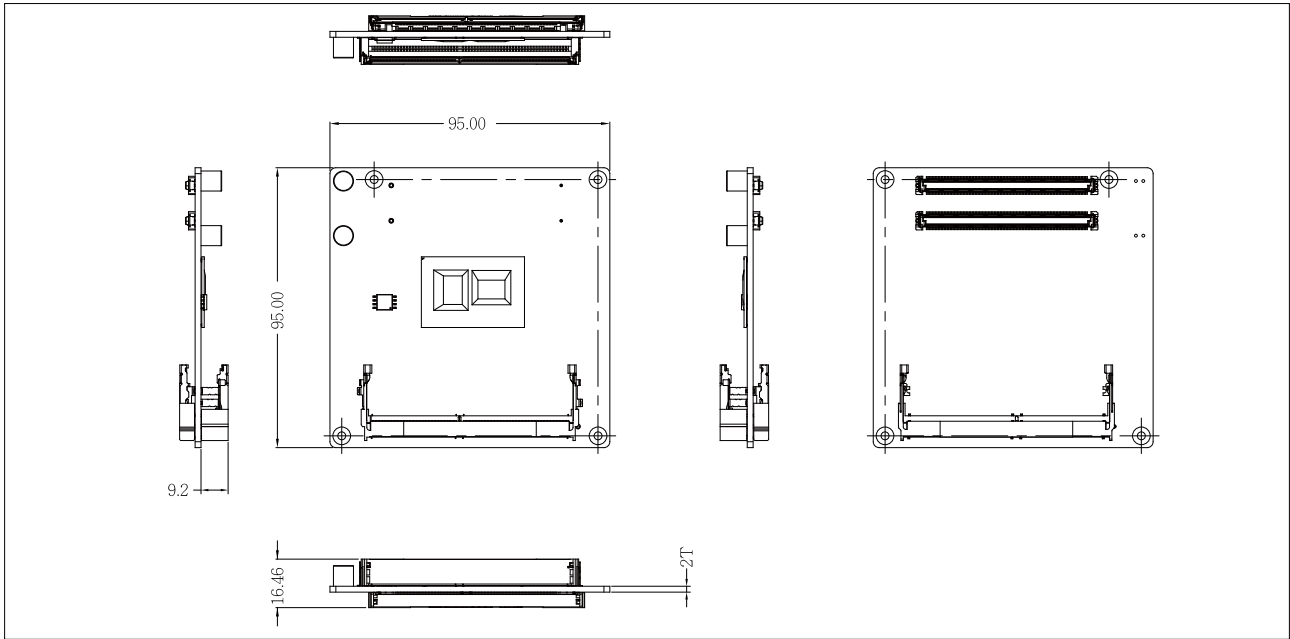
- COM Express® R3.0 Type 6
- Intel® Celeron® J6412 Processor
- Dual Channel DDR4, 2 x SO-DIMMs

Internal I/O	2 x USB 3.2 (Gen2)(10Gb/s) 2 x USB 3.2 (Gen2)(10Gb/s) - Optional ports by PCIe Co-lay 8 x USB 2.0 Ports (480Mbps) 1 x eSPI 1 x SMBUS 1 x I2C 1 x GPIO (8 bits) 1 x System fan
Power Requirement	Vin: 8.5V ~ 20V VSB: 4.75V ~ 5.25V RTC Battery: 2.0V ~ 3.3V
Watchdog	65536 level, 0 ~ 65535 sec
OS Compatibility	Windows 10 (x64)
Operating Properties	Operating temperature: 0°C to 60°C Operating humidity: 0-90% (non-condensing) Non-operating temperature: -40°C to 85°C Non-operating humidity: 0%-95% (non-condensing)
Packing Content	Carton size: 384 x 251 x 211 (mm) Packing Capacity: 20pcs Single Box size : 168 x 112 x 34 (mm)
Order Information	9MEHLJACMR-SI (Box packing)

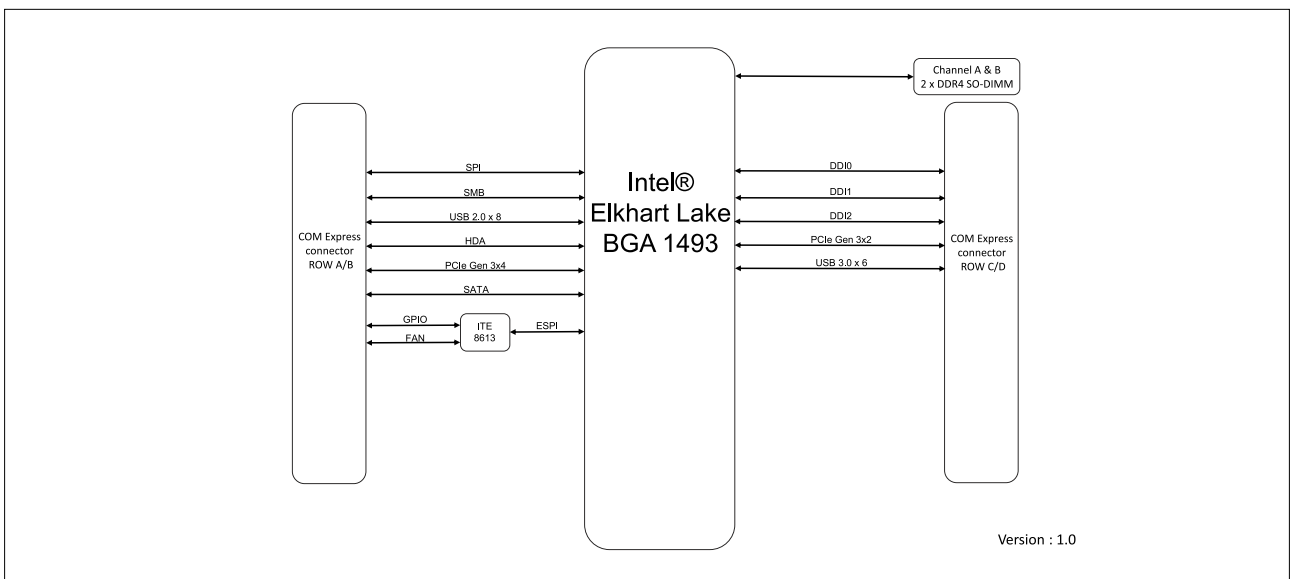
Specifications

Form Factor	COM Express® R3.0 Compact Module, Type 6 95W x 95D (mm)
CPU	Intel® Celeron® J6412 Processor 10nm, 4 cores, 4 threads, up to 2.60 GHz TDP 10W
Socket	1 x FCBGA 1493
Memory	2 x DDR4 SO-DIMM sockets, Max. Capacity 32 GB Support Dual Channel DDR4 3200 MHz memory modules
BIOS	AMI UEFI 256Mb
Super I/O	ITE IT8613E/NX
Video	Integrated Graphics Processor - Intel® UHD Graphics for 10th Gen Intel® Processors: - LCD : eDP 4096 x 2304 @ 60Hz - 2 x DDI ports support configurable HDMI/DisplayPort HDMI 2.0b: 4096 x 2160 @ 60Hz DisplayPort 1.4: 4096 x 2160 @ 60Hz (3 independent display outputs)
Audio	Intel® HD Audio
Storage	2 x SATA 6Gb/s Ports
Expansion Slots	6 x PCI Express x1 (Gen3)

GIGAIPC reserves the right to modify or change technical data without prior notice.



Block Diagram



Optional Kit

Part No.	Description	Quantity
25ST1-113106-Z1R	Heatsink	1
25ST1-113107-Z1R	Heat spreader	1

GIGAIPC reserves the right to modify or change technical data without prior notice.