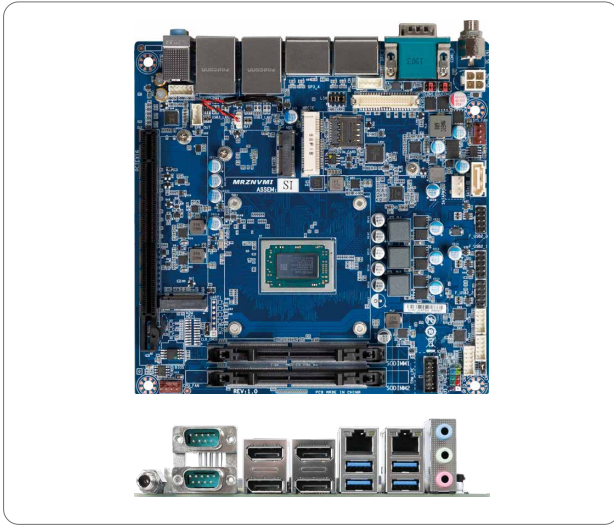


mITX-1605A (MRZNVMI)

Mini-ITX Embedded Motherboard with AMD® RYZEN™ V1605B Embedded Processor, Dual Channel DDR4 memory, PCIe, 4 x COM, 1 x SATA 6Gb/s, 10 x USB



Features

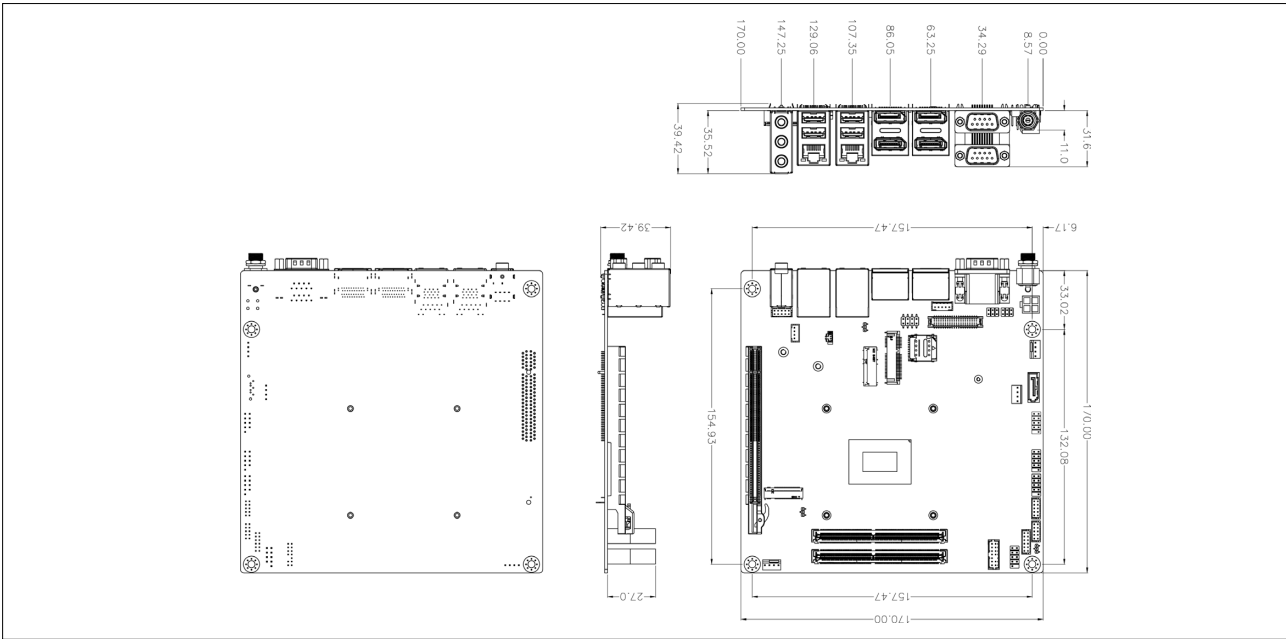
- Mini-ITX form factor
- AMD® Ryzen™ V1605B Embedded Processor
- Dual Channel DDR4, 2 x SO-DIMMs
- 2 x GbE LAN Ports
- 1 x SATA 6Gb/s Port
- 4 x DP1.4, LVDS (Switch from DP) Ports for Multiple Display
- 1 x PCIe x16 (x8 signal) expansion Slot
- 2 x COM Ports (RS-232/422/485 & RI/5V/12V)
- 2 x COM Ports (RS-232)

Specifications

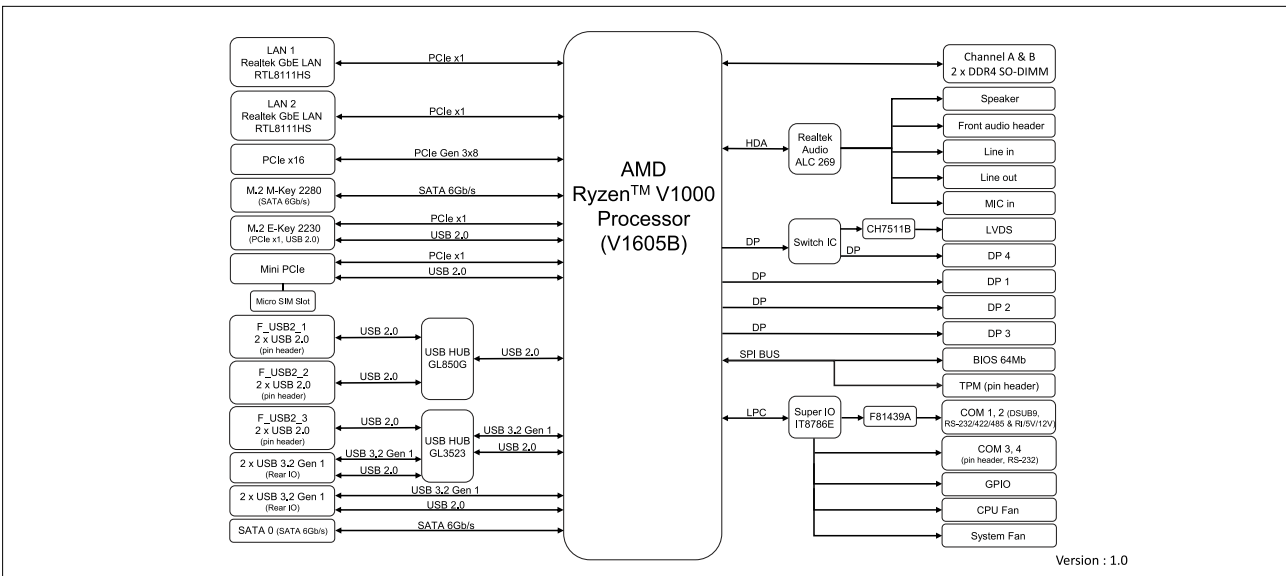
Form Factor	Mini-ITX 170W x 170D (mm)
CPU	AMD Ryzen™ V1605B Embedded Processor, 14nm, 4 cores, 8 threads, 2.0 GHz, up to 3.6GHz TDP 25W
Socket	1 x FP5 BGA
Chipset	—
Memory	2 x DDR4 SO-DIMM sockets, Max. Capacity 32 GB Support Dual channel DDR4 2400 MHz memory modules
Ethernet	2 x GbE LAN Ports (Realtek® RTL8111HS)
Video	Integrated Graphics Processor - AMD Radeon™ Vega 8 Graphics: 4 x DP ports, supporting a maximum resolution of 4096x2160 @60Hz 1 x LVDS port, supporting a maximum resolution of 1080P (switch from DP) (4 independent display outputs)
Audio	Realtek® Audio Codec
Storage	1 x SATA 6Gb/s Port
Raid	—
Expansion Slots	1 x PCIe x16 (Gen3 x8) 1 x 2280 M.2 M-Key (SATA 6Gb/s) 1 x 2230 M.2 E-Key 1 x Full-size Mini PCIe with SIM slot

Internal I/O	1 x 4-pin ATX power connector 1 x SATA power connector 1 x CPU fan header 1 x System fan header 1 x Front panel header 1 x Front panel audio header 1 x 2W Speaker out header 6 x USB 2.0 headers 2 x COM headers (RS-232) 1 x GPIO (8 bits) & SMBus header 1 x Backlight Control header 1 x LVDS/ DP Jumper 1 x AT/ATX mode select jumper 1 x Clear CMOS jumper
Rear I/O	3 x Audio Jacks (Line in, Line out, Mic in) 2 x COM Ports (RS-232/422/485 & RI/5V/12V) 4 x Display Ports 2 x RJ45 LAN Ports 4 x USB 3.2 Gen 1 1 x DC Jack (+12V~24VDC)
TPM	1 x TPM header
OS Compatibility	Windows 10 (x64)
Operating Properties	Operating temperature: 0°C to 60°C Operating humidity: 0-90% (non-condensing) Non-operating temperature: -40°C to 85°C Non-operating humidity: 0%-95% (non-condensing)
Packing Content	Carton size: 556 x 476 x 244 (mm) Packing Capacity: 10pcs Single Box size: 206 x 223 x 105 (mm) Including: IO Shield x 1 (P/N: 12AIO-MRZNV0-00R) SATA power Cable x 1 (P/N: 25CRI-200B02-K1R) Fansink x 1 (P/N: 12SF2-01A077-00R)
Order Information	Fan version: 9MRZNVMI-MR-SI (Box packing)

GIGAIPC reserves the right to modify or change technical data without prior notice.



Block Diagram



Optional Kit

Part No.	Description	Quantity
9CTM000NR-00	TPM 2.0 module	1

GIGAIPC reserves the right to modify or change technical data without prior notice.