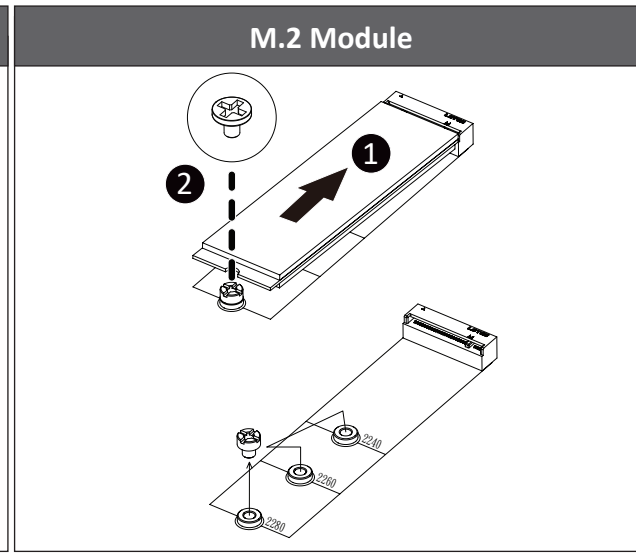
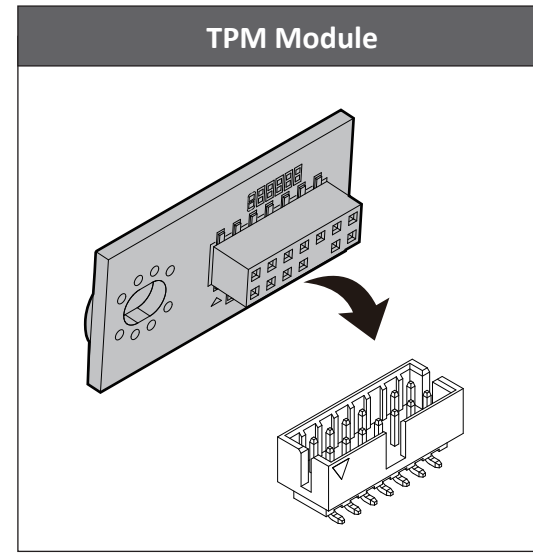


No.	Code	Description
1	AUDIO	Audio connectors
2	USB30_LAN1	GbE LAN port#1 (top)/USB 3.0 ports (bottom)
3	USB20_LAN2	GbE LAN port#2 (top)/USB 2.0 ports (bottom)
4	HDMI_COM2	COM port #2 (top)/HDMI port (bottom)
5	JCOM22	RS232/RS422/RS485 select jumper for serial port#2
6	JCOM21	5V/12V/RI signal select jumper for serial port#2
7	JCOM11	5V/12V/RI signal select jumper for serial port#1
8	JCOM12	RS232/RS422/RS485 select jumper for serial port#1
9	VGA_COM1	COM port #1 (top)/VGA port (bottom)
10	DC_IN1	DC In power connector
11	DC_IN2	DC In 12V power connector
12	SYS_FAN	System fan connector
13	CPU_FAN	CPU fan connector
14	BKL_CN	Back light brightness control connector
15	LVDS	LVDS connector
16	LSW	LVDS resolution jumper
17	EDP	Embedded Display Port connector
18	BATTERY	Battery cable connector
19	GPIO_CNT	GPIO connector
20	CNVI	CNVI connector
21	SATAIII_0	SATA 6Gb/s connector#0
22	SATAPW_1	Hard disk power connector (for SATA port #0)
23	SATAPW_3_4	Hard disk power connector (for SATA port #3 & #4)
24	SATAPW_1_2	Hard disk power connector (for SATA port #1 & #2)
25	SATAIII_1	SATA 6Gb/s connector#1
26	SATAIII_2	SATA 6Gb/s connector#2
27	SATAIII_4	SATA 6Gb/s connector#4
28	SATAIII_3	SATA 6Gb/s connector#3

No.	Code	Description
29	RAID_LED	RAID LED header
30	SYS_PANEL	Front panel header
31	FUSB2	USB 2.0 header
32	COM6	Serial port cable connector#6
33	AT_CN	AT/ATX power mode select jumper
34	U2LAN_LED	Active LED for LAN port#1
35	U3LAN_LED	Active LED for LAN port#2
36	FUSB1	USB 3.0 header
37	COM5	Serial port cable connector#5
38	COM4	Serial port cable connector#4
39	COM3	Serial port cable connector#3
40	CASE_OPEN	Chassis open intrusion alert header
41	PCI_E_1	PCI Express x4 slot
42	TPM_LPC	TPM connector
43	SPK_OUT	Audio Amplifier connector
44	F_AUDIO	Front audio connector



Power Connector/ 电源

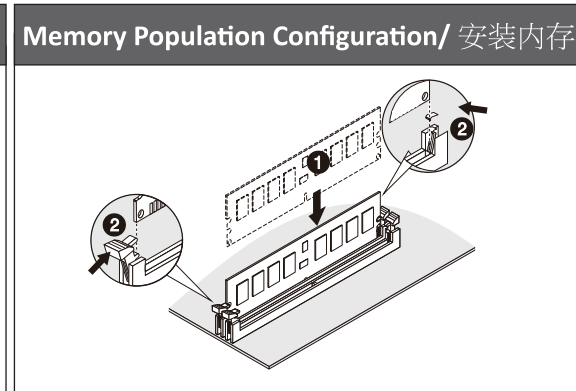
No.	Pin Define
1	GND
2	GND
3	+12V
4	+12V

Battery Cable Connector

No.	Pin Define
1	Battery+
2	GND

System Panel Header/ 前面板

No.	Pin Define
1	HDD LED+
2	Power LED+
3	HDD LED-
4	Power LED-
5	GND
6	Power Button+
7	Reset Button
8	Power Button-
9	No Connect
10	No Pin

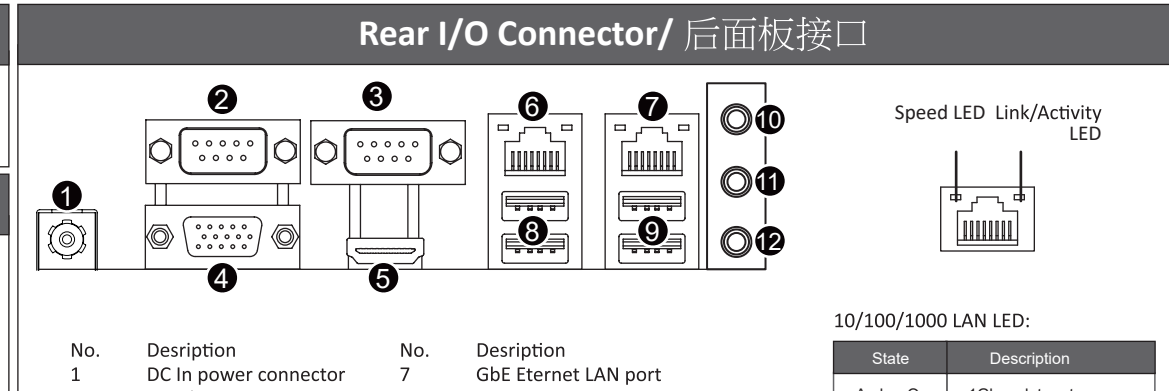


LAN Port Active LED Header

No.	Pin Define
1	Active
2	GND

CPU/System FAN/ 风扇

No.	Pin Define
1	GND
2	+12V
3	Sense
4	Speed Control



SATA Connector/SATA 接口

No.	Pin Define
1	GND
2	TXP
3	TXN
4	GND
5	RXN
6	RXP
7	GND

Embedded Display Port Connector

No.	Pin Define	No.	Pin Define
1	GND	11	eDP_1+
2	GND	12	eDP1AUX-
3	eDP_0-	13	GND
4	eDP_3-	14	eDP1AUX+
5	eDP_0+	15	eDP_2-
6	eDP_3+	16	GND
7	GND	17	eDP_2+
8	-eDPSW	18	eDP_HDP_C
9	eDP_1-	19	VCC_LVDS
10	GND	20	VCC3_LVDS

LVDS

No.	Pin Define	No.	Pin Define	No.	Pin Define	No.	Pin Define
1	VCC3	11	A1M_C	21	A5P_C	31	GND
2	VCC	12	A0M_C	22	A4P_C	32	GND
3	VCC3	13	GND	23	A5M_C	33	CLK2P_C
4	VCC	14	GND	24	A4M_C	34	CLK1P_C
5	SPC0	15	A3P_C	25	GND	35	CLK2M_C
6	SPD0	16	A2P_C	26	GND	36	CLK1M_C
7	GND	17	A3M_C	27	A7P_C	37	GND
8	GND	18	A2M_C	28	A6P_C	38	GND
9	A1P_C	19	GND	29	A7M_C	39	+12V
10	A0P_C	20	GND	30	A6M_C	40	+12V

Speed LED Link/Activity LED

State	Description
Amber On	1Gbps data rate
Green On	100Mbps data rate
Off	10Mbps data rate

Hard Drive Power Connector

No.	Pin Define
1	+12V
2	GND
3	GND
4	VCC

Audio Amplifier Connector

No.	Pin Define
1	Speaker Out L+
2	Speaker Out L-
3	Speaker Out R-
4	Speaker Out R+

Front Audio Connector/ 前置音频

No.	Pin Define	No.	Pin Define
1	MIC_L	6	GND
2	GND	7	FAUDIO_JD
3	MIC_R	8	No Connect
4	-ACZ_DET	9	HPOUT_L
5	HPOUT_R	10	GND

Back Light Brightness Control Connector

No.	Pin Define
1	VCC_LVDS
2	PWM_OUT
3	EN_BKLT
4	GND
5	+12V_LVDS

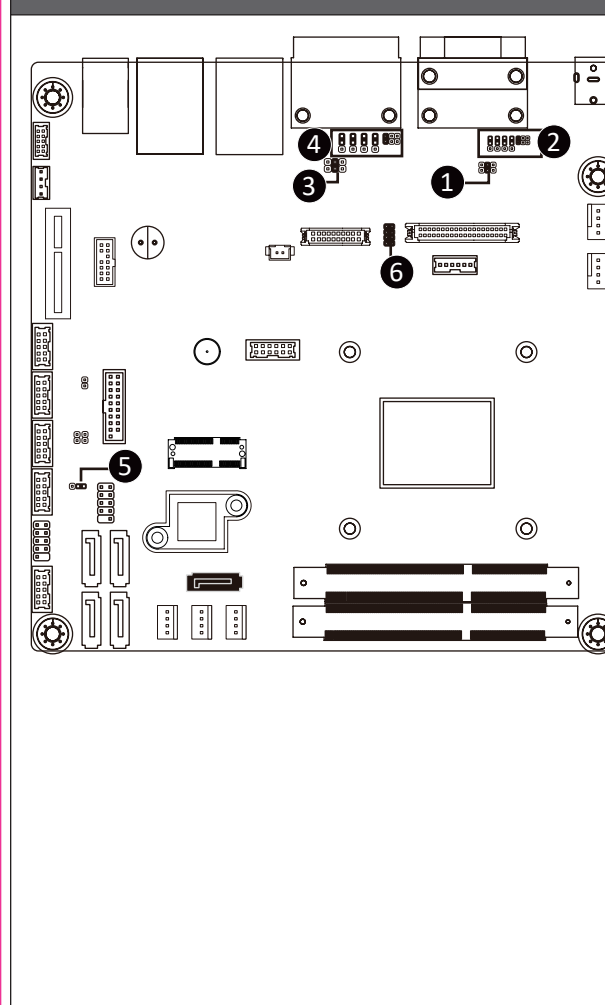
Serial Port Cable Connector

No.	Pin Define	No.	Pin Define
1	NRXD-	6	GND
2	NRXD+	7	NCTS-
3	NRTRD-	8	NRTS-
4	NRTRD+	9	No Connect
5	NDSR-	10	RI-

GPIO Connector

No.	Pin Define	No.	Pin Define
1	SOGP01	7	SOGP04
2	SOGP11	8	SOGP14
3	SOGP02	9	SMB_CLK
4	SOGI2	10	SMB_DATA
5	SOGP03	11	VCC
6	SOGP13	12	GND

Jumper Settings/ 跳线设置



No.	Description	Pin No.	Definition
1	5V/12V/RI signal select jumper for Serial port header#1 (JCOM11)	1	VCC
2	1-2 Close: 5V (Power COM)	2	RI1-/5V/12V
3	3-4 Close: RI (Stand COM)	3	NR1-
4	5-6 Close: 12V (power COM)	4	RI1-/5V/12V
5	1-2 Close: RS232	5	+12V
6	3-4 Close: RS422	6	RI1-/5V/12V
7	5-6 Close: RS485		
8	1-2 Close: RS422/RS485	1	RXD232
9	2-3 Close: RS232 (Default setting)	2	RXD1
10		3	RXD422
11		4	RXD1
12		5	RXD485
13		6	RXD1

No.	Description	Pin No.	Definition
3	5V/12V/RI signal select jumper for Serial port header#2	1	VCC
4	1-2 Close: 5V (Power COM)	2	RI2-/5V/12V
5	3-4 Close: RI (Stand COM)	3	NR2-
6	5-6 Close: 12V (power COM)	4	RI2-/5V/12V
7	1-2 Close: RS232	5	+12V
8	3-4 Close: RS422	6	RI2-/5V/12V
9	5-6 Close: RS485		
10	1-2 Close: RS422/RS485	1	RXD232
11	2-3 Close: RS232 (Default setting)	2	RXD2
12		3	RXD422
13		4	RXD2
14		5	RXD485
15		6	RXD2

No.	Description	Jumper Setting	Resolution
5	AT/ATX Power Mode Select Jumper		
6	LVDS Resolution Jumper		
7	1-2 Close: AT mode.		
8	2-3 Close: ATX mode. (Default setting)		
9			
10			
11			
12			
13			
14			
15			
16			
17			
18			
19			
20			

USB 3.0 Header

No.	Pin Define	No.	Pin Define
1	Power	11	IntA_P2_D+
2	IntA_P1_SSRX-	12	IntA_P2_D-
3	IntA_P1_SSRX+	13	GND
4	GND	14	IntA_P2_SSTX+
5	IntA_P1_SSTX-	15	IntA_P2_SSTX-
6	IntA_P1_SSTX+	16	GND
7	GND	17	IntA_P2_SSRX+
8	IntA_P1_D-	18	IntA_P2_SSRX-
9	IntA_P1_D+	19	Power
10	OC	20	No Pin

USB 2.0 Header

No.	Pin Define	No.	Pin Define
1	Power (5V)	6	USB DY+
2	Power (5V)	7	GND
3	USB DX-	8	GND
4	USB DY-	9	No Pin
5	USB DX+	10	No Connect

TPM Module Connector

No.	Pin Define	No.	Pin Define
1	LPC_CLK0_B	8	TPM_DET_N
2	3VDUAL	9	LPC_LAD2
3	-PFM_RST	10	NC
4	VCC3	11	LPC_LAD3
5	LPC_LAD0	12	GND
6	IRQ_SERIAL	13	LFRAME#
7	LPC_LAD1	14	GND

RAID LED Header

No.	Pin Define	No.	Pin Define
1	HDD Active LED	6	LED VCC
2	LED VCC	7	SATA3 LED
3	SATA1 LED	8	LED VCC
4	LED VCC	9	SATA4 LED
5	SATA2 LED	10	LED VCC

WEEE Symbol Statement



The symbol shown below is on the product or on its packaging, which indicates that this product must not be disposed of with other waste. Instead, the device should be taken to the waste collection centers for activation of the treatment, collection, recycling and disposal procedure. The separate collection and recycling of your waste equipment at the time of disposal will help to conserve natural resources and ensure that it is recycled in a manner that protects human health and the environment. For more information about where you can drop off your waste equipment for recycling, please contact your local government office, your household waste disposal service or where you purchased the product for details of environmentally safe recycling.

- When your electrical or electronic equipment is no longer useful to you, "take it back" to your local or regional waste collection administration for recycling.
- If you need further assistance in recycling, reusing in your "end of life" product, you may contact us at the Customer Care number listed in your product's user's manual and we will be glad to help you with your effort.

Restriction of Hazardous Substances (RoHS) Directive Statement

GIGABYTE products have not intended to add and safe from hazardous substances (Cd, Pb, Hg, Cr+6, PBDE and PBB). The parts and components have been carefully selected to meet RoHS requirement. Moreover, we at GIGABYTE are continuing our efforts to develop products that do not use internationally banned toxic chemicals.

限制使用有害物质 (RoHS) 指令声明

GIGABYTE产品未故意添加和使用有害物质（Cd、Pb、Hg、Cr+6、PBDE和PBB）。所有部件和元件均经过严格挑选，符合RoHS要求。此外，我们GIGABYTE一直致力于开发不使用国际上禁止的有毒化学品的产品。

California Proposition 65 Warning

WARNING:

This product contains a chemicals , including lead, known to the State of California to cause cancer and birth defects or other reproductive harm. For more information, please visit: <http://www.p65warnings.ca.gov/>



Battery Warning:

Incorrectly installing a battery or using incompatible battery may increase the risk of ifre explosion. Replace the battery only with the same or equivalent type.

- Do not disassemble, crush, puncture batteries.
- Do not store or place your battery pack next to or in a heat source such as a fire, heatgenerating appliance, can or exhaust vent. Heating battery cells to temperatures above 65oC (149oF) can cause explosion or fire.
- Do not attempt to open or service batteries. Do not dispose of batteries in a fire or with household waste.



电池警告：

电池安装不当或使用不兼容的电池会增加火灾爆炸风险。更换电池时，只可使用相同或同等类型的电池。

- 请勿拆解、挤压、刺破电池。
- 请勿将电池存放或放置在热源中或旁边，如火源、产生热的设备、罐体或排气口。电池温度升至65oC (149oF)以上可能导致爆炸或火灾。
- 请勿尝试打开或维修电池。电池废弃时，请勿投入火中或者作为家庭废弃物进行处理。

中华人民共和国电子信息产品中有毒有害物质或元素的名称及含量标识格式

依照中华人民共和国的有毒有害物质的限制要求(China RoHS)提供以下的表格：



关于符合中国《电子信息产品污染控制管理办法》的声明
Management Methods on Control of Pollution from Electronic Information Products
(China RoHS Declaration)

产品中有毒有害物质或元素的名称及含量
Hazardous Substances Table

部件名称 (Parts)	有毒有害物质或元素 (Hazardous Substances)					
	铅 (Pb)	汞 (Hg)	镉 (Cd)	六价铬 (Cr (VI))	多溴联苯 (PBB)	多溴二苯醚 (PBDE)
PCB板 PCB	○	○	○	○	○	○
结构件及风扇 Mechanical parts and Fan	×	○	○	○	○	○
芯片及其他主动零件 Chip and other Active components	×	○	○	○	○	○
连接器 Connectors	×	○	○	○	○	○
被动电子元器件 Passive Components	×	○	○	○	○	○
线材 Cables	○	○	○	○	○	○
焊接金属 Soldering metal	○	○	○	○	○	○
助焊剂、散热膏、标签及其他耗材 Flux, Solder Paste, Label and other Consumable Materials	○	○	○	○	○	○
○:表示该有毒有害物质在该部件所有均质材料中的含量均在SJ/T11363-2006标准规定的限量要求以下。 Indicates that this hazardous substance contained in all homogenous materials of this part is below the limit requirement SJ/T 11363-2006						
×:表示该有毒有害物质至少在该部件的某一均质材料中的含量超出SJ/T11363-2006标准规定的限量要求。 Indicates that this hazardous substance contained in at least one of the homogenous materials of this part is above the limit requirement in SJ/T 11363-2006						
对销售之日的所零售产品，本表显示我公司供应链的电子信息产品可能包含这些物质。注意：在所售产品中可能会也可能不会含有所有列出的部件。 This table shows where these substances may be found in the supply chain of our electronic information products, as of the date of the sale of the enclosed products. Note that some of the component types listed above may or may not be a part of the enclosed product.						

For more information, visit our website at:

<http://www.gigaipc.com/>

GIGAIPC