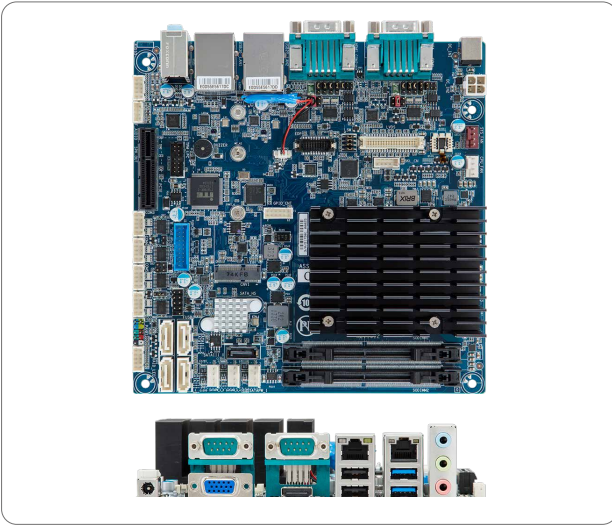


mITX-4125A (MGMLJAI)

Mini-ITX Embedded Motherboard with Intel® Celeron® J4125 Processor, Dual Channel DDR4 memory, PCIe, 6 x COM, 5 x SATA 6Gb/s, 8 x USB



Features

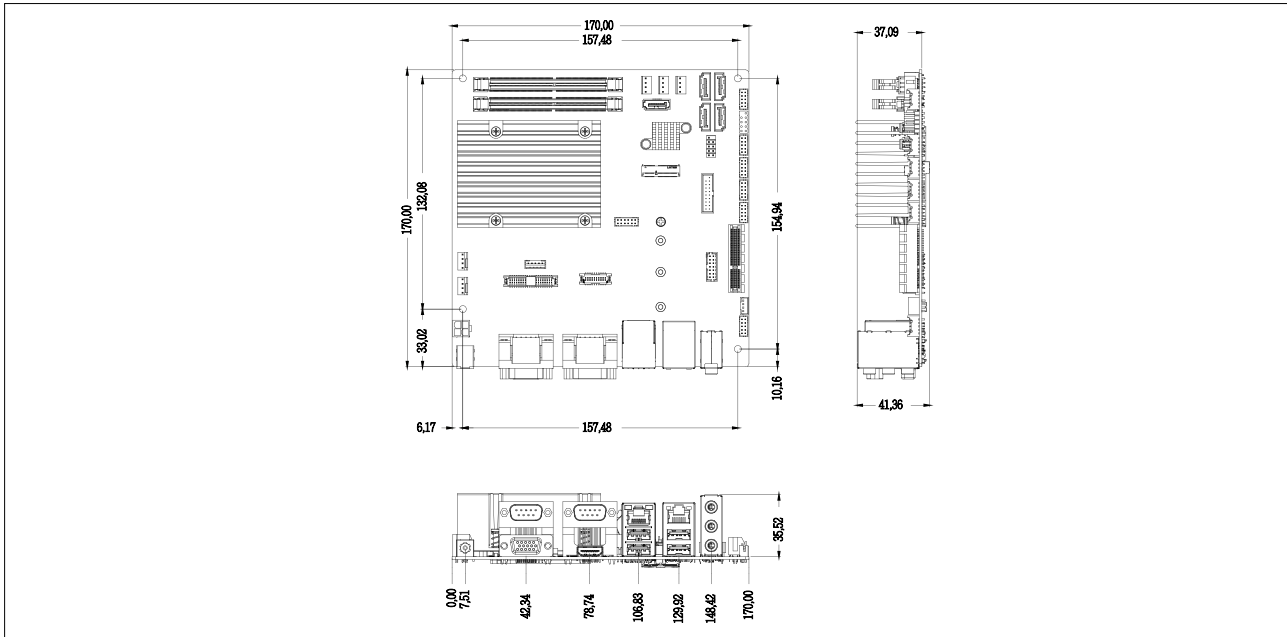
- Mini-ITX form factor
- Intel® Celeron® J4125 Processor
- Dual Channel DDR4, 2 x SO-DIMMs
- 2 x GbE LAN Ports
- 5 x SATA 6Gb/s Ports with one SATA DOM supported
- HDMI 2.0a, D-Sub, eDP (in option), LVDS ports for multiple display
- 1 x PCIe x4 (Gen2 x 2) expansion slot
- 2 x COM Ports (RS-232/422/485 & RI/5V/12V)
- 4 x COM Ports (RS-232)

Specifications

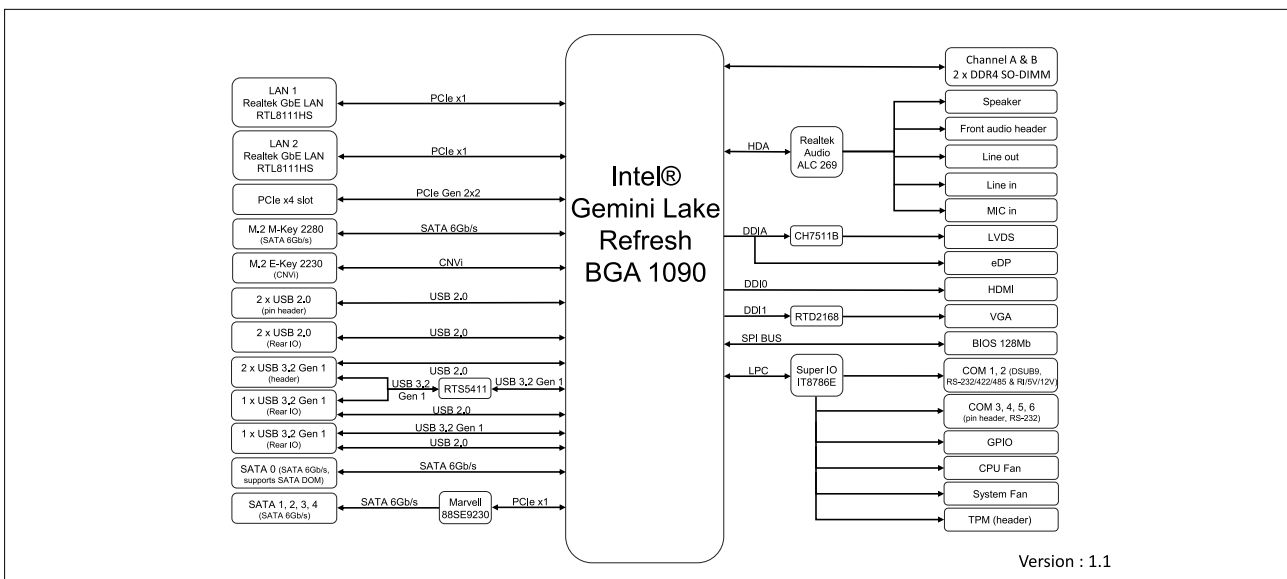
Form Factor	Mini-ITX 170W x 170D (mm)
CPU	Intel® Celeron® J4125 Processor 14nm, 4 cores, 4 threads, up to 2.70 GHz TDP 10W fan-less design
Socket	1 x FCBGA1090
Chipset	—
Memory	2 x DDR4 SO-DIMM sockets, Max. Capacity 8 GB Support Dual Channel DDR4 2400 MHz memory modules
Ethernet	2 x GbE LAN Ports (Realtek® RTL8111HS)
Video	Integrated Graphics Processor - Intel® UHD Graphics 600: 1 x HDMI 2.0 port, supporting a maximum resolution of 3840x2160 @60Hz 1 x VGA port, supporting a maximum resolution of 1920x1200 @60Hz 1 x eDP port, supporting a maximum resolution of 1920x1080 @60Hz 1 x LVDS port, supporting a maximum resolution of 1920x1200 @60Hz * eDP connector is alternative with LVDS port, only one can be worked at the same time (3 independent display outputs)
Audio	Realtek® Audio Codec
Storage	5 x SATA 6Gb/s Ports (4 x Marvell 88SE9230, support RAID 0/1/10) (1 x supports SATA DOM)
Raid	RAID 0/1/10
Expansion Slots	1 x PCIe x4 (Gen2 x2) 1 x 2280/2260/2242 M.2 M-Key (SATA 6Gb/s) 1 x 2230 M.2 E-Key (CNVi cards only)

Internal I/O	1 x 4-pin ATX main power connector 3 x SATA power connectors 1 x CPU fan header 1 x System fan header 1 x Front panel header 1 x Front panel audio header 1 x 2W Speaker out header 2 x USB 2.0 headers 2 x USB 3.2 Gen 1 headers 4 x COM headers (RS-232) 1 x GPIO (8 bits) & SMBus header 1 x Case open header 1 x AT/ATX mode jumper 1 x Backlight Control header 1 x RAID LED header 2 x LAN LED headers 1 x Clear CMOS jumper 1 x Buzzer
Rear I/O	3 x Audio Jacks (Line in, Line out, Mic in) 2 x COM Ports (RS-232/422/485 & RI/5V/12V) 1 x HDMI 1 x VGA 2 x RJ45 LAN Ports 2 x USB 2.0 2 x USB 3.2 Gen 1 1 x DC Jack (+12VDC)
TPM	1 x TPM header
OS Compatibility	Windows 10 (x64)
Operating Properties	Operating temperature: 0°C to 60°C Operating humidity: 0-90% (non-condensing) Non-operating temperature: -20°C to 70°C Non-operating humidity: 0%-95% (non-condensing)
Packing Content	Carton size: 550 x 451 x 330 (mm) Packing Capacity: 20pcs Single Board weight: Approx. 0.5kg Including: IO Shield x 1 (P/N: 12AIO-MGMLJA-00R) SATA power Cable x 2 (P/N: 25CRI-300B01-K1R)
Order Information	9MGMLJAINR-SI (Bulk Packing)

GIGAIPC reserves the right to modify or change technical data without prior notice.



Block Diagram



Optional Kit

Part No.	Description	Quantity
9CTM000NR-00	TPM 2.0 module	1

GIGAIPC reserves the right to modify or change technical data without prior notice.