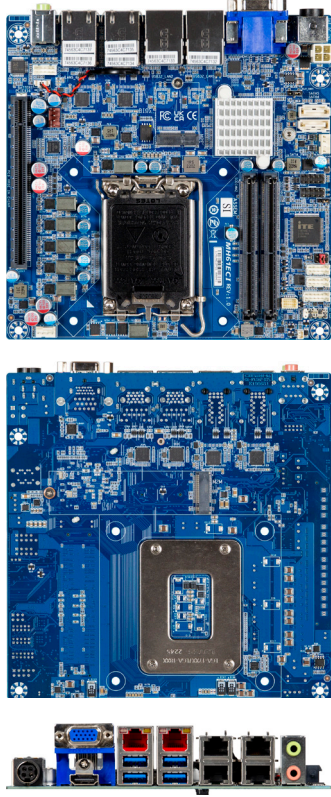


## mITX-H61EC (MH61ECI)

Mini-ITX with Intel® H610E Chipset, support 14th/13th/12th Generation Intel® Core™ Processors, Dual channel DDR4 memory, PCIe, 2 x COM, 8 x USB, 2 x SATA 6Gb/s



### Features

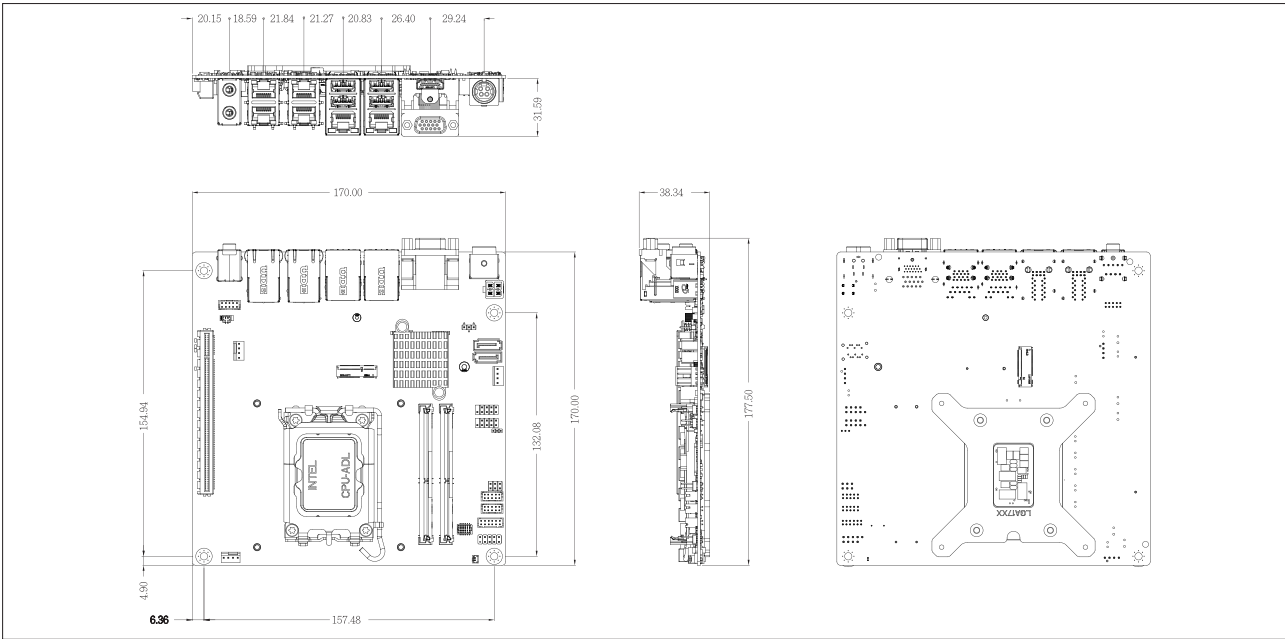
- Mini-ITX form factor
- Support 14th/13th/12th Generation Intel® Core™ Processors
- Intel® H610E Chipset
- Dual Channel DDR4, 2 x SO-DIMMs
- 6 x 2.5GbE LAN Ports
- 2 x SATA 6Gb/s Ports
- HDMI, VGA ports for multiple display
- 1 x COM Port (RS-232/422/485 & RI/5V/12V)
- 1 x COM Port (RS-232)

### Specifications

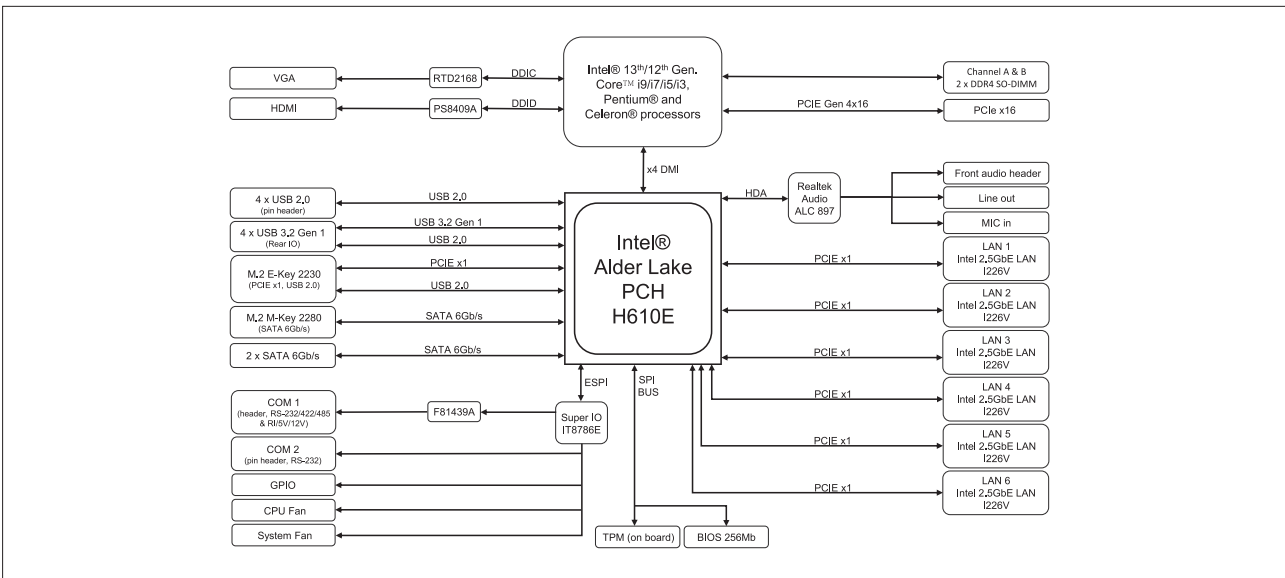
|                 |   |
|-----------------|---|
| Form Factor     | Mini-ITX<br>170W x 170D (mm)  |
| CPU             | Support for 14th/13th/12th Generation Intel® Core™ i9/i7/i5/i3, Pentium® and Celeron® processors in the LGA1700 package<br>TDP under 65W  |
| Socket          | 1 x LGA 1700  |
| Chipset         | Intel® H610E Chipset  |
| Memory          | 2 x DDR4 SO-DIMM sockets, Max. Capacity 64 GB<br>Support Dual channel DDR4 3200 MHz memory modules  |
| Ethernet        | 6 x 2.5GbE LAN Ports (Intel® I226V)   |
| Video           | Integrated Graphics Processor - depends on CPU:<br>1 x HDMI 2.0 port, supporting a maximum resolution of 4096x2160 @60Hz<br>1 x VGA port, supporting a maximum resolution of 1920x1080 @60Hz<br><br>(2 independent display outputs) |
| Audio           | Realtek® ALC897   |
| Storage         | 2 x SATA 6Gb/s Ports  |
| Expansion Slots | 1 x PCIe x16 (Gen 4x16)<br>1 x 2280 M.2 M-Key (SATA 6Gb/s)<br>1 x 2230 M.2 E-Key  |

|                      |   |
|----------------------|---|
| Internal I/O         | 1 x 4-pin ATX main power connector<br>1 x SATA power connector<br>1 x CPU fan header<br>1 x System fan header<br>1 x Front panel header<br>1 x Front panel audio header<br>4 x USB 2.0 headers<br>1 x COM header (RS-232/422/485 & RI/5V/12V)<br>1 x COM header (RS-232)<br>1 x GPIO (8 bits) & SMBus header<br>1 x Clear CMOS jumper<br>1 x Buzzer header<br>1 x AT/ATX mode select jumper |
| Rear I/O             | 2 x Audio Jacks (Line out, Mic in)<br>1 x HDMI<br>1 x VGA<br>6 x RJ45 LAN Ports<br>4 x USB 3.2 Gen 1<br>1 x DC Jack (+12V/+19V~24VDC)   |
| TPM                  | Onboard TPM 2.0 security chip<br>Infineon SLB9670VQ2.0  |
| OS Compatibility     | Windows® 10/11 (x64)  |
| Operating Properties | Operating temperature: 0°C to 60°C<br>Operating humidity: 0-90% (non-condensing)<br>Non-operating temperature: -40°C to 85°C<br>Non-operating humidity: 0%-95% (non-condensing)   |
| Packing Content      | Carton size: 465 x 351 x 217 (mm)<br>Packing Capacity: 10pcs<br><br>Single Box size : 221 x 178 x 65 (mm)<br><br>Including:<br>IO Shield x 1 (P/N: 12AIO-MH61EC-00R)<br>SATA power Cable x 1 (P/N: 25CRI-300B01-K1R)  |
| Order Information    | 9MH61ECIMR-SI (Box packing)   |

GIGAIPC reserves the right to modify or change technical data without prior notice.



## Block Diagram



## Optional Kit

| Part No.         | Description          | Quantity |
|------------------|----------------------|----------|
| 25ST0-037820-Y0R | CPU Cooler           | 1        |
| 12KRH-0A1700-00R | CPU Cooler Backplate | 1        |

GIGAIPC reserves the right to modify or change technical data without prior notice.