

## QBi-3965B (MFLPCA9)

Embedded Compact Board with Intel® Celeron® 3965U Processor, Dual Channel DDR4 memory, 1 x COM , 1 x SATA 6Gb/s, 7 x USB



### Specifications

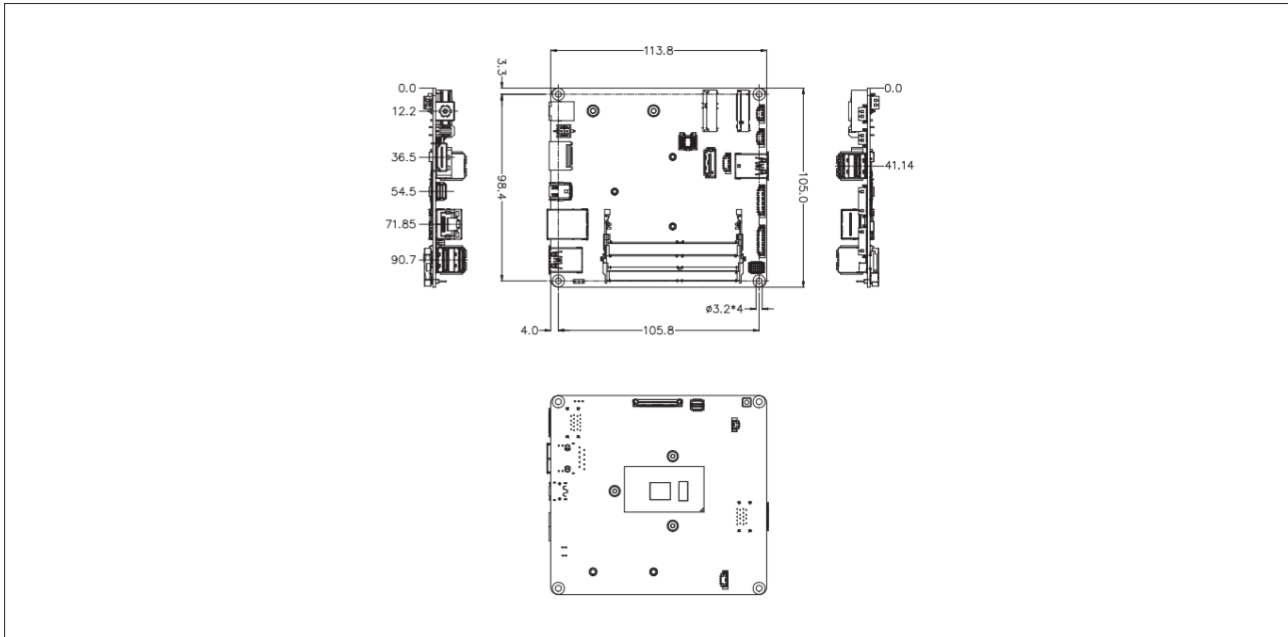
Form Factor	Embedded Compact Board 105W x 110D (mm)
CPU	Intel® Celeron® 3965U Processor 14nm, 2 cores, 2 threads, 2.20 GHz TDP 15W
Socket	1 x FCBGA1356
Chipset	—
Memory	2 x DDR4 SO-DIMM sockets, Max. Capacity 32 GB Support Dual Channel DDR4 2133 MHz memory modules
Ethernet	1 x GbE LAN Port (Intel® I219V)
Video	Integrated Graphics Processor - Intel® HD Graphics 620 support: 1 x HDMI 2.0 port, supporting a maximum resolution of 4096x2160 @24Hz 1 x mini DP port, supporting a maximum resolution of 4096x2160 @60Hz 1 x eDP port, supporting a maximum resolution of 3840x2160 @60Hz  (3 independent display outputs)
Audio	Intel® integrated Audio
Storage	1 x SATA 6Gb/s port
Raid	—

### Features

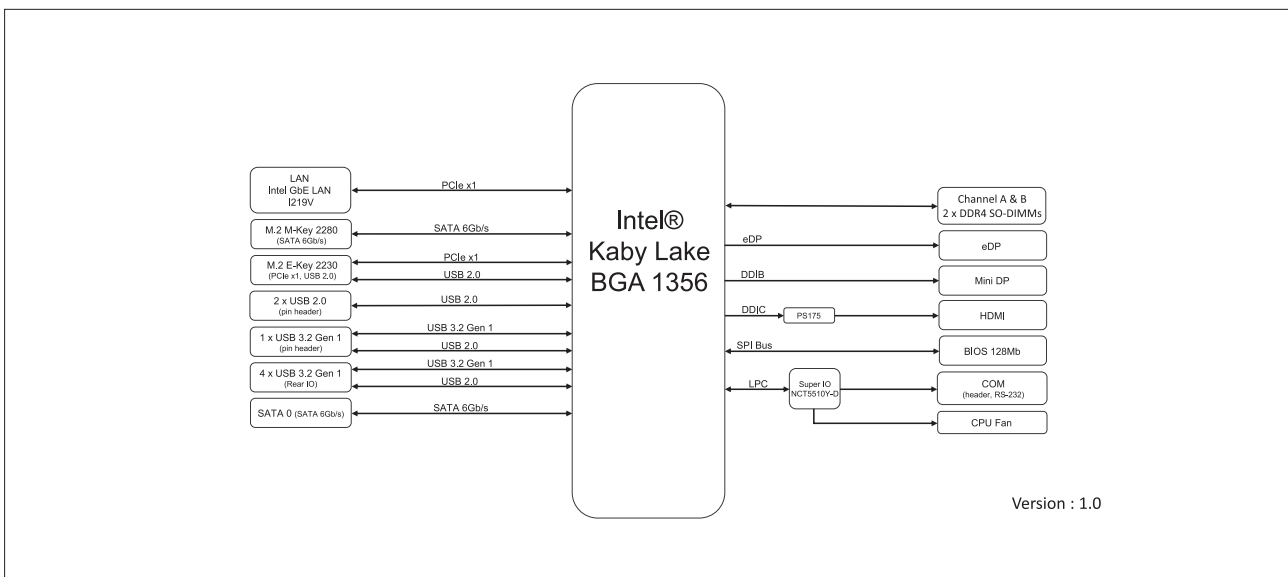
- Embedded IPC Motherboard
- Intel® Celeron® 3965U Processor
- Dual Channel DDR4, 2 x SO-DIMMs
- 1 x GbE LAN Port
- 1 x SATA 6Gb/s Port
- HDMI, Mini Display port, eDP ports for multiple display
- 1 x COM Port (RS-232)

Expansion Slots	1 x 2280 M.2 M-Key (SATA 6Gb/s) 1 x 2230 M.2 E-Key
Internal I/O	1 x 2 pin power connector 1 x SATA Power header 1 x CPU fan header 1 x Front panel header 2 x USB 2.0 headers 1 x USB 3.2 Gen 1 header 1 x COM header (RS-232)
Front IO	2 x USB 3.2 Gen 1 1 x Power button
Rear IO	1 x HDMI 1 x Mini Display port 1 x RJ45 LAN Port 2 x USB 3.2 Gen 1 1 x DC Jack (+12V~24VDC)
Side IO	—
TPM	—
OS Compatibility	Windows 10 (x64)
Operating Properties	Operating temperature: 0°C to +60°C Operating humidity: 0-90% (non-condensing) Non-operating temperature: -40°C to +85°C Non-operating humidity: 0%-95% (non-condensing)
Packing Content	Carton size: 465 x 351 x 217 (mm) Packing Capacity: 10pcs  Single Box size: 221 x 178 x 65 (mm)  Including: SATA power Cable 150mm x 1 (P/N: 25CRI-200B02-K1R)
Order Information	9MFLPCA9MR-SI (Box Packing)

GIGAIPC reserves the right to modify or change technical data without prior notice.



## Block Diagram



## Optional Kit

Part No.	Description	Quantity
25ST4-343202-C1R	Fansink	1
25ST5-CKAA01-A8R	Heat spreader	1
9CTM000NR-00	TPM 2.0 module	1
25CRZ-100600-S9R	TPM Cable	1

GIGAIPC reserves the right to modify or change technical data without prior notice.