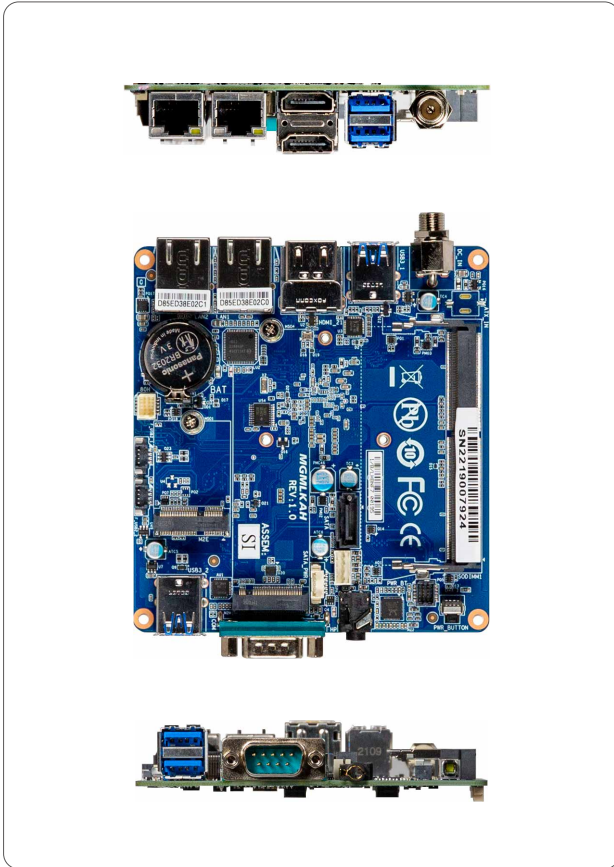


QBi-4125A (MGMLKAH)

Embedded Compact Board with Intel® Celeron® J4125 Processor, Single Channel DDR4 memory, 1 x COM, 1 x SATA 6Gb/s, 6 x USB



Features

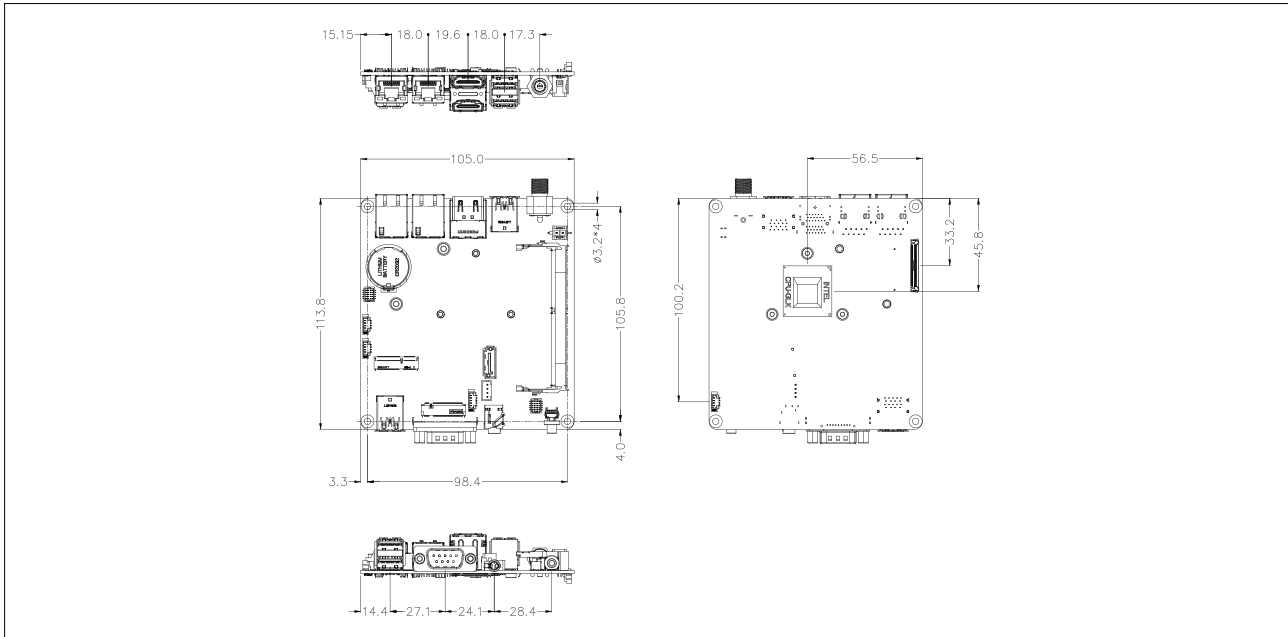
- Embedded IPC Motherboard
- Intel® Celeron® J4125 Processor
- Single Channel DDR4, 1 x SO-DIMM
- 2 x GbE LAN Ports
- 1 x SATA 6Gb/s Port
- 2 x HDMI, eDP ports for multiple display
- 1 x COM Port (RS-232)

Specifications

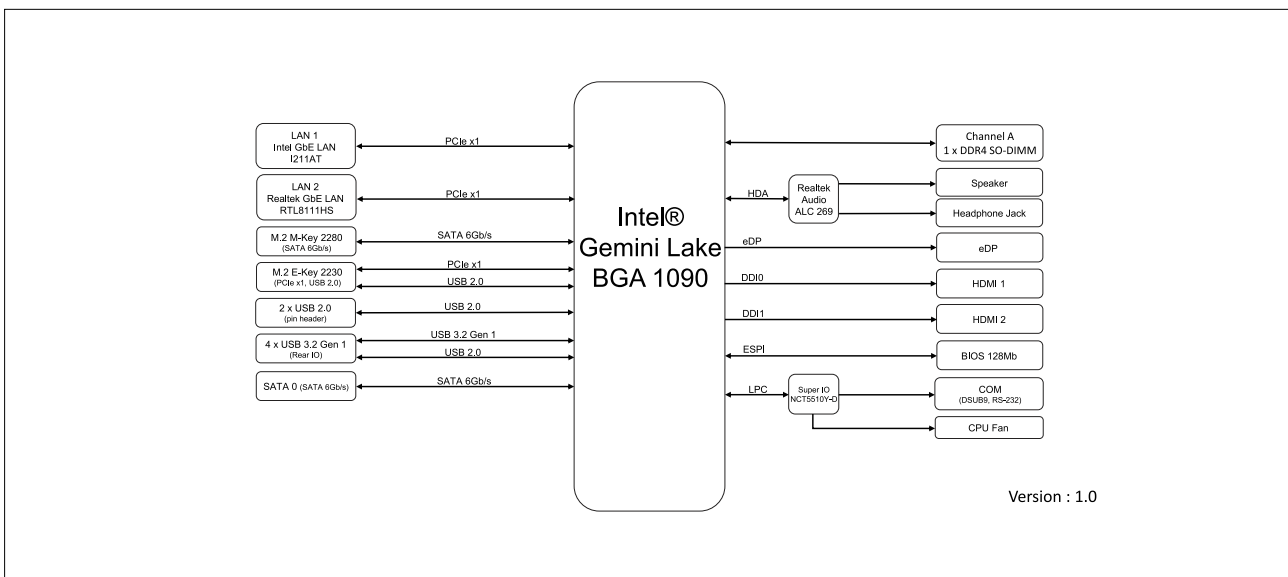
Form Factor	Embedded Compact Board 105W x 110D (mm)
CPU	Intel® Celeron® J4125 Processor 14nm, 4 cores, 4 threads, up to 2.7 GHz TDP 10W
Socket	1 x FCBGA1090
Memory	1 x DDR4 SO-DIMM socket, Max. Capacity 8 GB Support Single Channel DDR4 2400MHz memory module
Ethernet	1 x GbE LAN Port (Intel® I211AT) 1 x GbE LAN Port (Realtek® RTL8111HS)
Video	Integrated Graphics Processor - Intel® UHD Graphics 600 2 x HDMI 1.4 port, supporting a maximum resolution of 4096x2160 @30Hz 1 x eDP port, supporting a maximum resolution of 3840x2160 @60Hz (3 independent display outputs)
Audio	Realtek® Audio codec
Storage	1 x SATA 6Gb/s Port (RAID 0/1)
Raid	—

Expansion Slots	1 x 2280 M.2 M-Key (SATA 6Gb/s) 1 x 2230 M.2 E-Key
Internal I/O	1 x SATA Power header 1 x CPU fan header 1 x Power button header 2 x USB 2.0 headers 1 x Speaker out header
Front IO	2 x USB 3.2 Gen 1 1 x COM Port (RS-232) 1 x Headphone Jack 1 x Power button
Rear IO	2 x RJ45 LAN Ports 2 x USB 3.2 Gen 1 2 x HDMI 1 x Screw type DC Jack (+12V~19VDC)
Side IO	—
TPM	—
OS Compatibility	Windows® 10 (x64)
Operating Properties	Operating temperature: 0°C to +60°C Operating humidity: 0-90% (non-condensing) Non-operating temperature: -40°C to +85°C Non-operating humidity: 0%-95% (non-condensing)
Packing Content	Carton size: 465 x 351 x 217 (mm) Packing Capacity: 10pcs Single Box size: 221 x 178 x 65 (mm) Including: SATA power Cable 150mm x 1 (P/N: 25CRI-150621-K1R)
Order Information	9MGMLKAHMR-SI (Box Packing)

GIGAIPC reserves the right to modify or change technical data without prior notice.



Block Diagram



Optional Kit

Part No.	Description	Quantity
25ST1-123001-A7R	Fanless Heatsink	1
25ST5-CGAA00-A8R	Heat spreader	1

GIGAIPC reserves the right to modify or change technical data without prior notice.