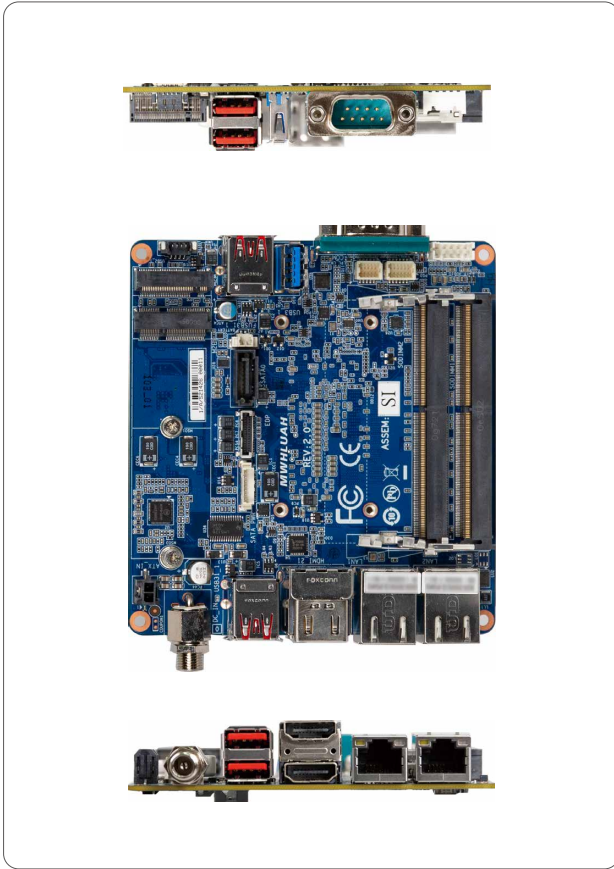


QBi-8565A (MWHLUAH)

Embedded Compact Board with Intel® i7-8565U Processor, Dual Channel DDR4 memory, 1 x COM, 1 x SATA 6Gb/s, 6 x USB



Features

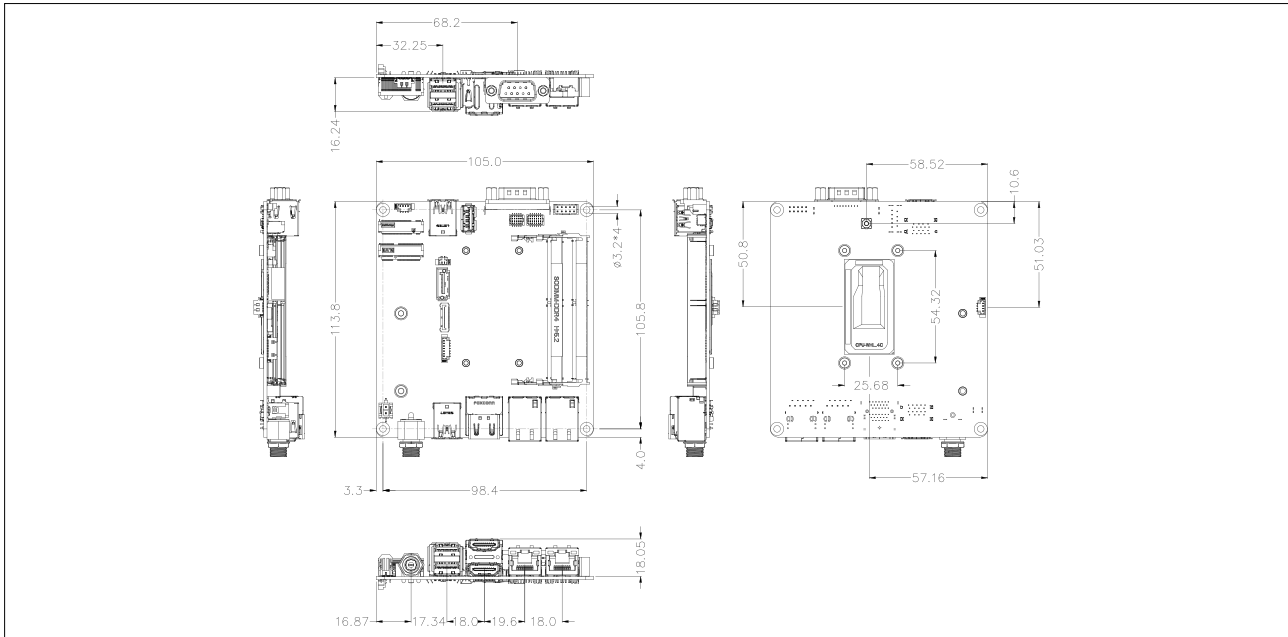
- Embedded IPC Motherboard
- Intel® Core™ i7-8565U Processor
- Dual Channel DDR4, 2 x SO-DIMMs
- 2 x GbE LAN Ports
- 1 x SATA 6Gb/s Port
- Ultra-Fast M.2 with PCIe Gen3 x4 Interface
- 2 x HDMI, eDP ports for multiple display
- 1 x COM Port (RS-232/422/485)

Specifications

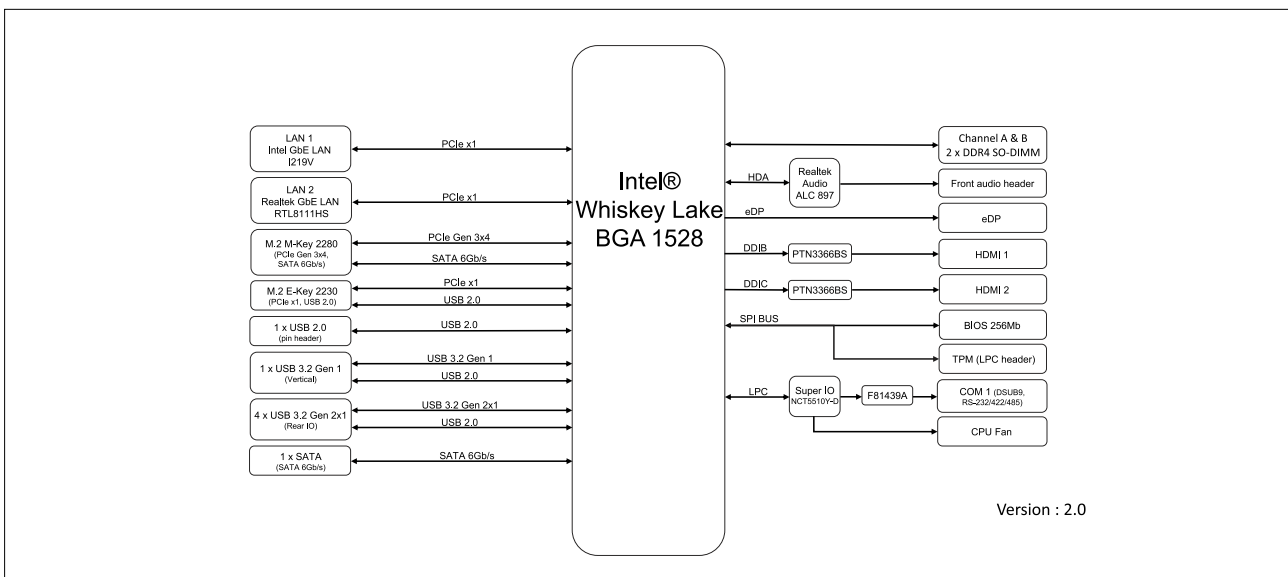
| | |
|-------------|---|
| Form Factor | Embedded Compact Board 105W x 110D (mm) |
| CPU | Intel® Core™ i7-8565U Processor 14nm, 4 cores, 8 threads, up to 4.6 GHz TDP 15W |
| Socket | 1 x FCBGA1528 |
| Chipset | — |
| Memory | 2 x DDR4 SO-DIMM sockets, Max. Capacity 64 GB Support Dual Channel DDR4 2400 MHz memory modules |
| Ethernet | 2 x GbE LAN Ports (Intel® I219V and Realtek® RTL8111HS) |
| Video | Integrated Graphics Processor - Intel® UHD Graphics 620: 2 x HDMI 1.4 port, supporting a maximum resolution of 4096x2304 @24Hz 1 x eDP port, supporting a maximum resolution of 4096x2304 @60Hz (3 independent display outputs) |
| Audio | Realtek® audio Codec |
| Storage | 1 x SATA 6Gb/s Port |
| Raid | RAID 0/1 |

| | |
|----------------------|--|
| Expansion Slots | 1 x 2280 M.2 M-Key (PCIe x4, SATA 6Gb/s) 1 x 2230 M.2 E-Key (WiFi/BT) |
| Internal I/O | 1 x 2-pin power connector 1 x SATA power/optional for eDP Power 1 x CPU fan header 1 x Front panel header 1 x Front panel audio header 1 x USB 2.0 header 1 x Vertical USB 3.2 Gen 1 |
| Front IO | 2 x USB 3.2 Gen 2x1 1 x Power button 1 x COM Port (RS-232/422/485) |
| Rear IO | 2 x HDMI 2 x RJ45 LAN Ports 2 x USB 3.2 Gen 2x1 1 x Screw type DC Jack (+9V~36VDC) |
| Side IO | — |
| TPM | 1 x TPM header (LPC) |
| OS Compatibility | Windows 10 (x64) |
| Operating Properties | Operating temperature: 0°C to +60°C Operating humidity: 0-90% (non-condensing) Non-operating temperature: -40°C to +85°C Non-operating humidity: 0%-95% (non-condensing) |
| Packing Content | Carton size: 465 x 351 x 217 (mm) Packing Capacity: 10pcs Single Box size: 221 x 178 x 65 (mm) Including: SATA power Cable 150mm x 1 (P/N: 25CRI-150621-K1R) |
| Order Information | 9MWHLUAHMR-SI (Box Packing) |

GIGAIPC reserves the right to modify or change technical data without prior notice.



Block Diagram



Optional Kit

| Part No. | Description | Quantity |
|------------------|------------------|----------|
| 25ST1-123118-AFR | Fanless Heatsink | 1 |
| 12SF2-01A073-00R | Fansink | 1 |
| 25ST5-8265A1-A8R | Heat spreader | 1 |
| 9CTM000NR-00 | TPM 2.0 module | 1 |
| 25CRZ-100600-S9R | TPM Cable | 1 |

GIGAIPC reserves the right to modify or change technical data without prior notice.