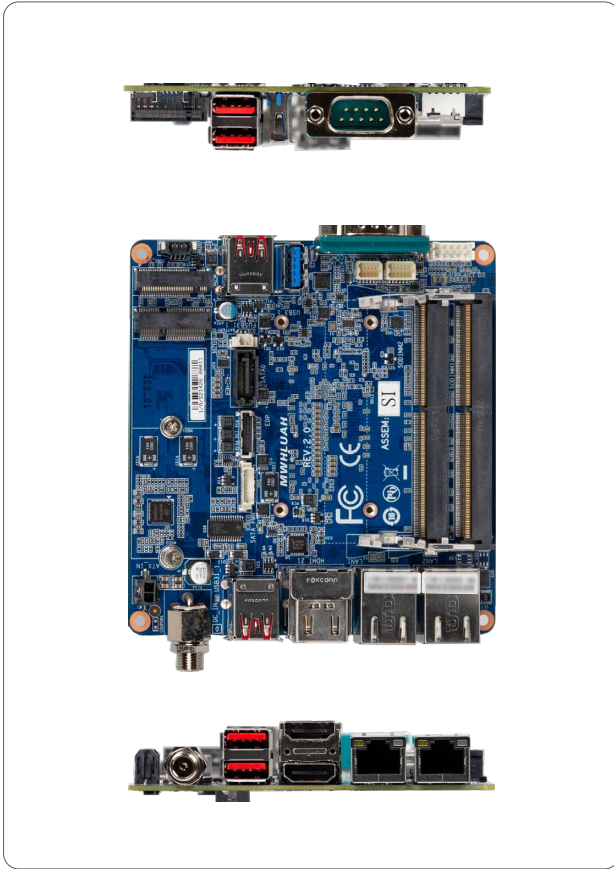


QBi-8665A (MWHLUDH)

Embedded Compact Board with Intel® i7-8665UE Processor, Dual Channel DDR4 memory, 1 x COM , 1 x SATA 6Gb/s, 6 x USB



Features

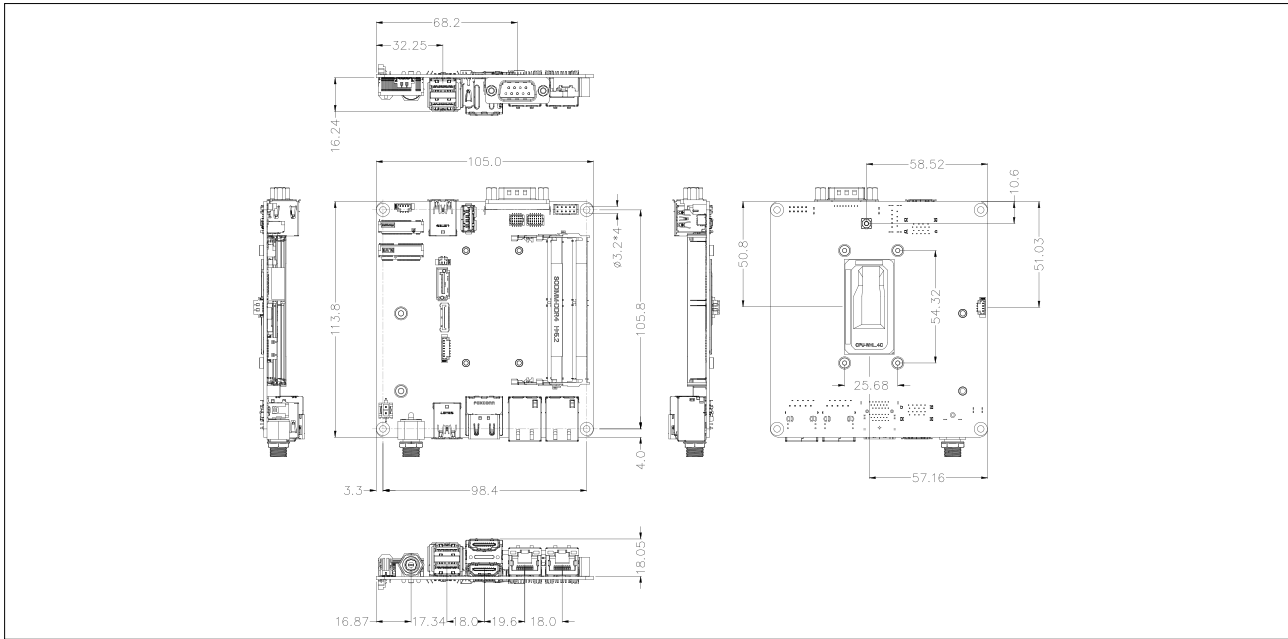
- Embedded IPC Motherboard
- Intel® Core™ i7-8665UE Processor
- Dual Channel DDR4, 2 x SO-DIMMs
- 2 x GbE LAN Ports
- 1 x SATA 6Gb/s Port
- Ultra-Fast M.2 with PCIe Gen3 x4 Interface
- 2 x HDMI, eDP ports for multiple display
- 1 x COM Port (RS-232/422/485)

Specifications

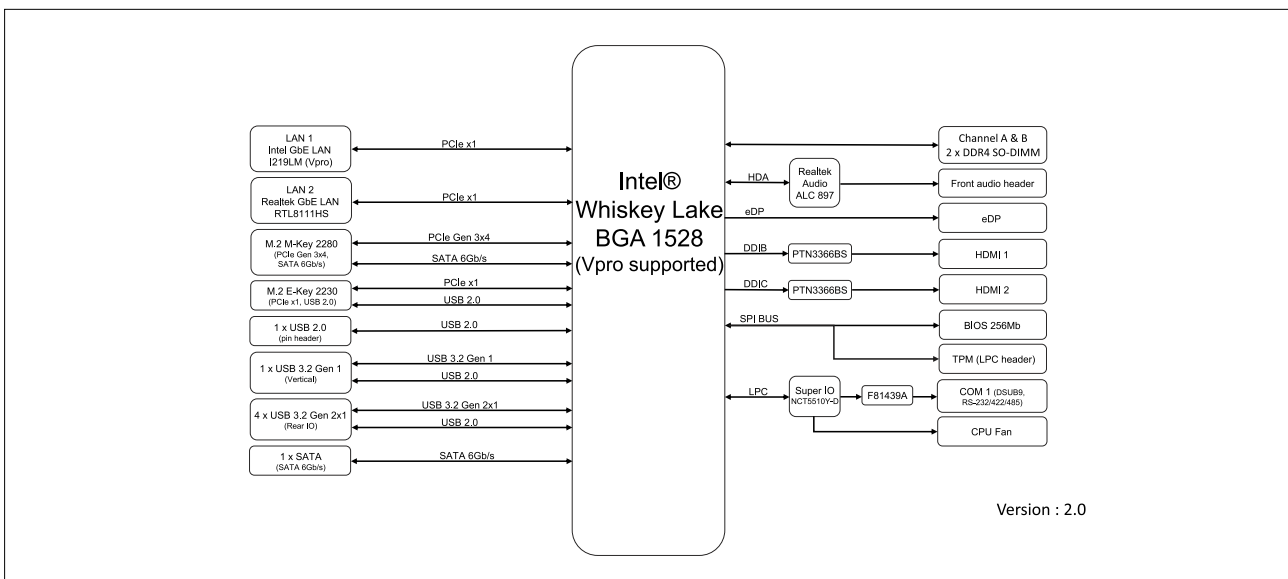
Form Factor	Embedded Compact Board 105W x 110D (mm)
CPU	Intel® Core™ i7-8665UE Processor 14nm, 4 cores, 8 threads, up to 4.40 GHz vPro support, TDP 15W
Socket	1 x FCBGA1528
Chipset	—
Memory	2 x DDR4 SO-DIMM sockets, Max. Capacity 64 GB Support Dual Channel DDR4 2400 MHz memory modules
Ethernet	2 x GbE LAN Ports (Intel® I219LM and Realtek® RTL8111HS)
Video	Integrated Graphics Processor - Intel® UHD Graphics 620 : 2 x HDMI 1.4 port, supporting a maximum resolution of 4096x2304 @24Hz 1 x eDP port, supporting a maximum resolution of 4096x2304 @60Hz (3 independent display outputs)
Audio	Realtek® Audio Codec
Storage	1 x SATA 6Gb/s Port
Raid	RAID 0/1

Expansion Slots	1 x 2280 M.2 M-Key (PCIe x4, SATA 6Gb/s) 1 x 2230 M.2 E-Key
Internal I/O	1 x 2-pin power connector 1 x SATA power/optional for eDP Power 1 x CPU fan header 1 x Front panel header 1 x Front panel audio header 1 x USB 2.0 header 1 x Vertical USB 3.2 Gen 1
Front IO	2 x USB 3.2 Gen 2x1 1 x Power button 1 x COM Port (RS-232/422/485)
Rear IO	2 x HDMI 2 x RJ45 LAN Ports 2 x USB 3.2 Gen 2x1 1 x Screw type DC Jack (+9V~36VDC)
Side IO	—
TPM	1 x TPM header (LPC)
OS Compatibility	Windows 10 (x64)
Operating Properties	Operating temperature: 0°C to +60°C Operating humidity: 0-90% (non-condensing) Non-operating temperature: -40°C to +85°C Non-operating humidity: 0%-95% (non-condensing)
Packing Content	Carton size: 465 x 351 x 217 (mm) Packing Capacity: 10pcs Single Box size: 221 x 178 x 65 (mm) Including: SATA power cable 150mm x 1 (P/N: 25CRI-150621-K1R)
Order Information	9MWHLUDHMR-SI (Box Packing)

GIGAIPC reserves the right to modify or change technical data without prior notice.



Block Diagram



Optional Kit

Part No.	Description	Quantity
25ST1-123118-AFR	Fanless Heatsink	1
12SF2-01A073-00R	Fansink	1
25ST5-8265A1-A8R	Heat spreader	1
9CTM000NR-00	TPM 2.0 module	1
25CRZ-100600-S9R	TPM Cable	1

GIGAIPC reserves the right to modify or change technical data without prior notice.