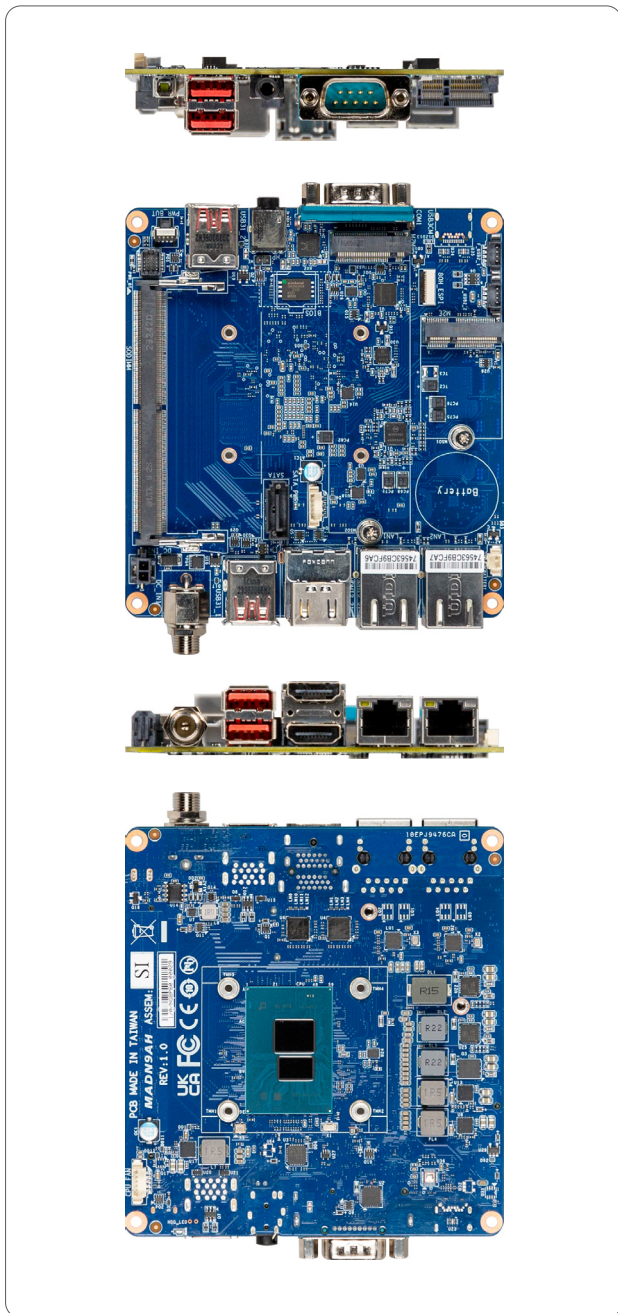


QBi-N97A (MADN9AH)

Embedded Compact Board with Intel® Processor N97, Single Channel DDR5 memory, 1 x COM, 1 x SATA 6Gb/s, 6 x USB, TPM on board



Features

- Embedded IPC Motherboard
- Intel® Processor N97
- Single Channel DDR5, 1 x SO-DIMM
- 2 x GbE LAN Ports
- 1 x SATA 6Gb/s Port
- 2 x HDMI Ports for multiple display
- 1 x COM Port (RS-232)

Video	Integrated Graphics Processor - Intel® UHD Graphics support: 2 x HDMI 2.0 port, supporting a maximum resolution of 4096x2160 @60Hz (2 independent display outputs)
Audio	Realtek® ALC269
Storage	1 x SATA 6Gb/s Port
Raid	—
Expansion Slots	1 x 2280 M.2 M-Key (PCIe Gen 3x1, SATA 6Gb/s) 1 x 2230 M.2 E-Key
Internal I/O	1 x 2-pin power connector 1 x SATA Power header 1 x CPU fan header 1 x Front panel header 2 x USB 2.0 headers
Front IO	2 x USB 3.2 Gen 2x1 1 x Power button with LED 1 x COM Port (RS-232) 1 x Combo audio jack (Headphone & Headset)
Rear IO	2 x RJ45 LAN Ports 2 x USB 3.2 Gen 2x1 2 x HDMI 1 x Screw type DC Jack (+12V~19VDC)
Side IO	—
TPM	Onboard TPM 2.0 security chip NUVOTON NPCT760AABYX
OS Compatibility	Windows 10/11 (x64)
Operating Properties	Operating temperature: 0°C to +60°C Operating humidity: 0-90% (non-condensing) Non-operating temperature: -40°C to +85°C Non-operating humidity: 0%-95% (non-condensing)
Packing Content	Carton size: 465 x 351 x 217 (mm) Packing Capacity: 10pcs
	Single Box size: 221 x 178 x 65 (mm) Single Box weight: Approx. 0.5kg Including: SATA power cable 150mm x 1 (P/N: 25CRI-300B01-K1R)
Order Information	9MADN9AHMR-SI (Box Packing)

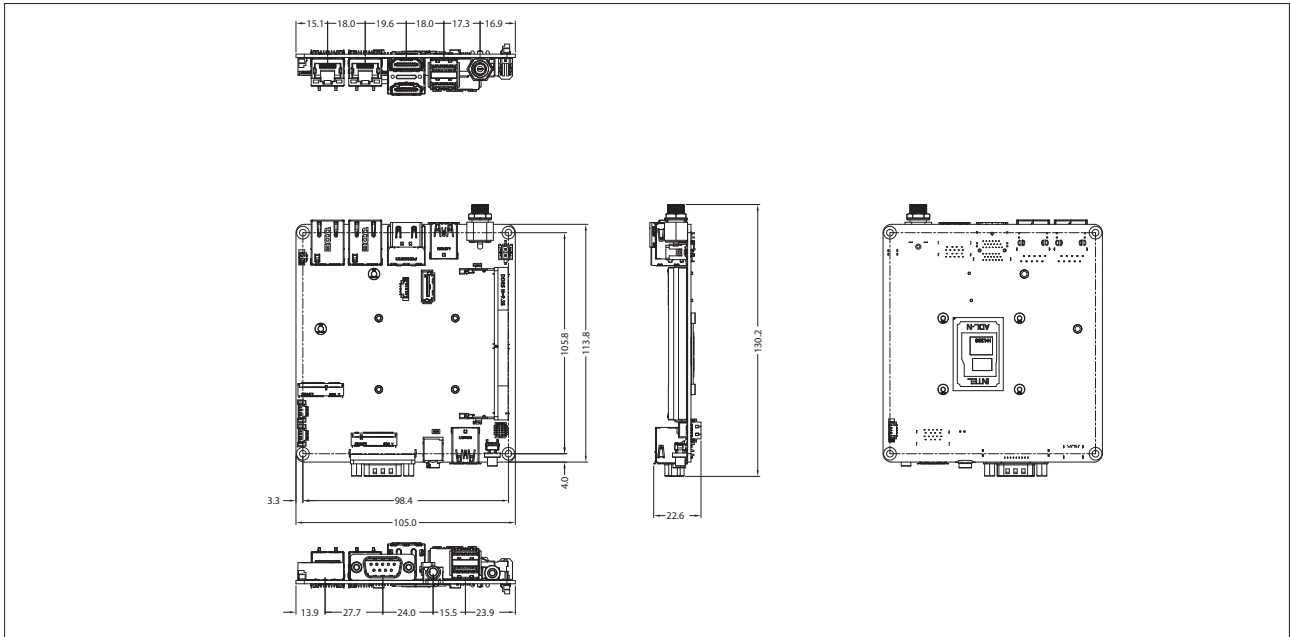
Specifications

Form Factor	Embedded Compact Board 105W x 110D (mm)
CPU	Intel® Processor N97 Intel® 7, 4 cores, up to 3.60 GHz TDP 12W
Socket	1 x FCBGA1264
Memory	1 x DDR5 SO-DIMM socket, Max. Capacity 16 GB Support Single Channel DDR5 4800 MHz memory module
Ethernet	2 x GbE LAN Ports (Realtek® RTL8111H)

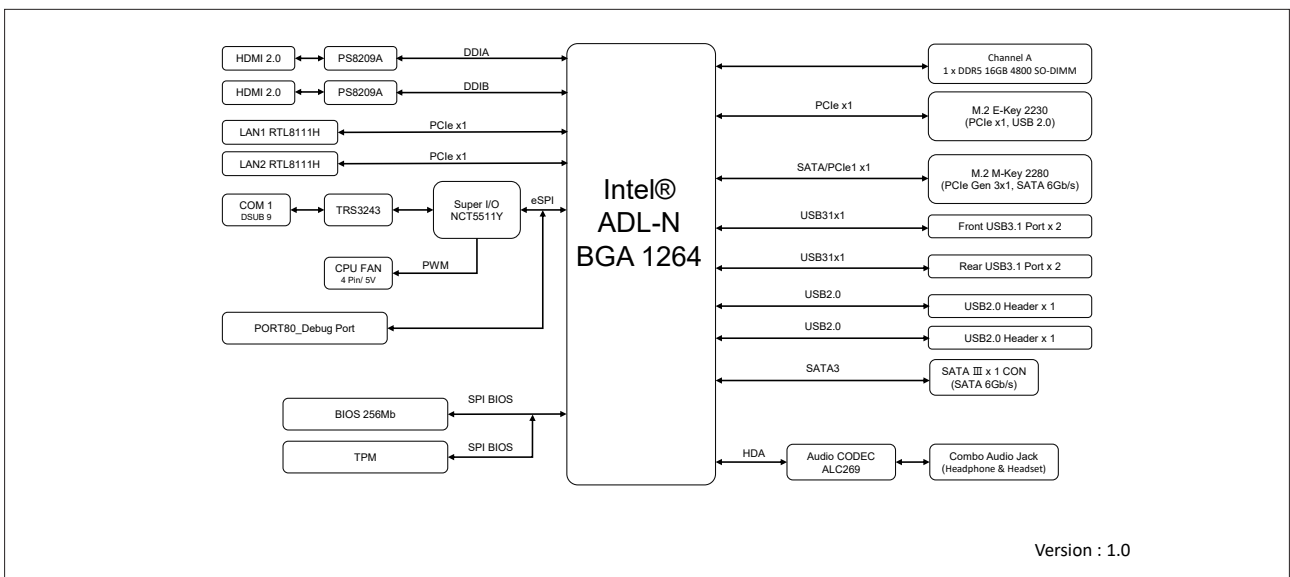
2024/02/29

GIGAIPC reserves the right to modify or change technical data without prior notice.

Dimension (Unit: mm)



Block Diagram



2024/02/29

GIGAIPC reserves the right to modify or change technical data without prior notice.