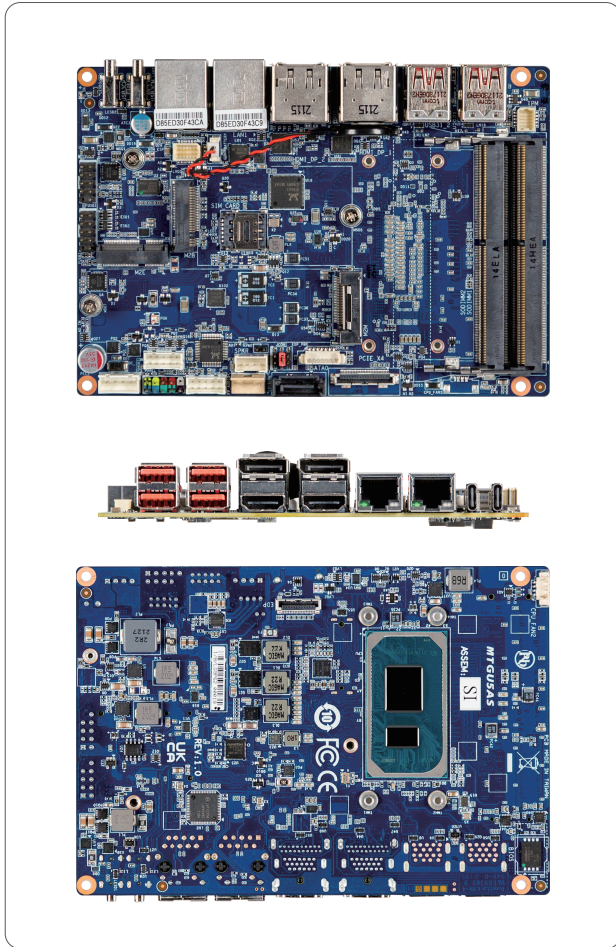


QBIP-1165G7A (MTGU7AS)

3.5" SubCompact Board with 11th Generation Intel® Core™ i7-1165G7 Processor, Dual Channel DDR4 memory, 1 x COM, 1 x SATA 6Gb/s, 4 x USB 3.2 Type A Gen 2x1, 2 x USB 3.2 Type C Gen 2x1, 4 x USB 2.0



Features

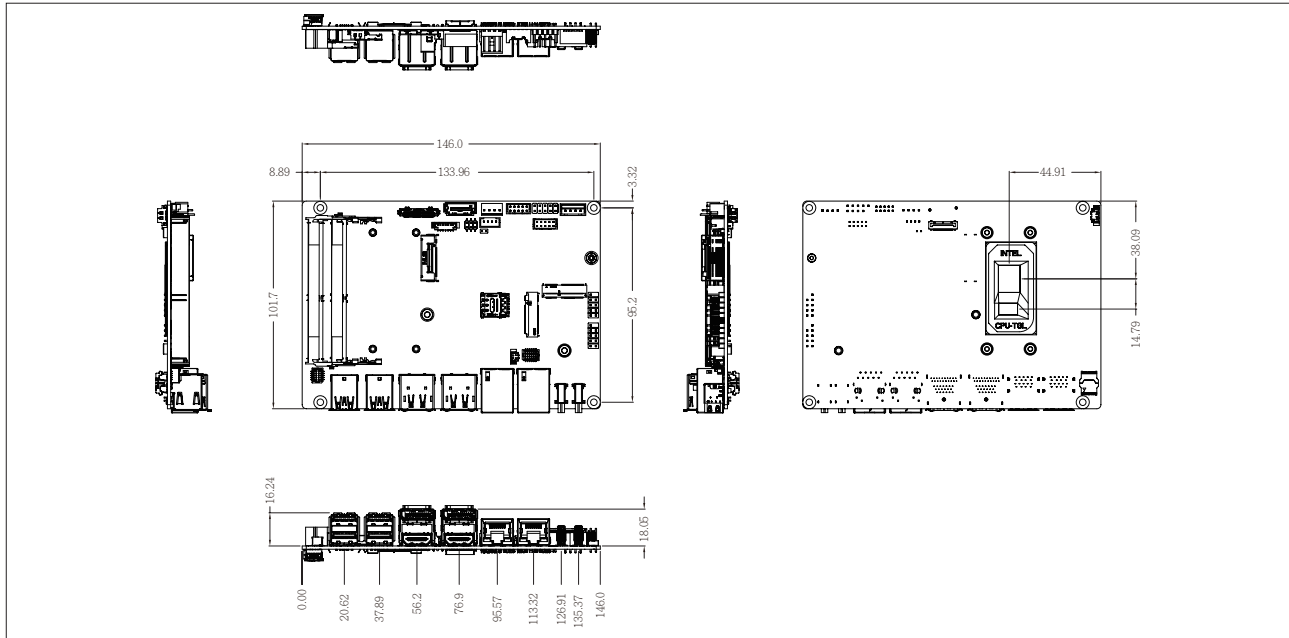
- 3.5" SBC
- Intel® Core™ i7-1165G7 Processor
- Dual Channel DDR4, 2 x SO-DIMMs
- 2 x GbE LAN Ports
- 1 x SATA 6Gb/s Port
- Ultra-Fast M.2 with PCIe Gen3 x2 interface
- 2 x HDMI, 2 x DP, eDP ports for multiple display
- 1 x COM Port (RS-232 & RI/5V/12V)
- 4 x USB 3.2 Type A Gen 2x1
- 2 x USB 3.2 Type C Gen 2x1

Specifications

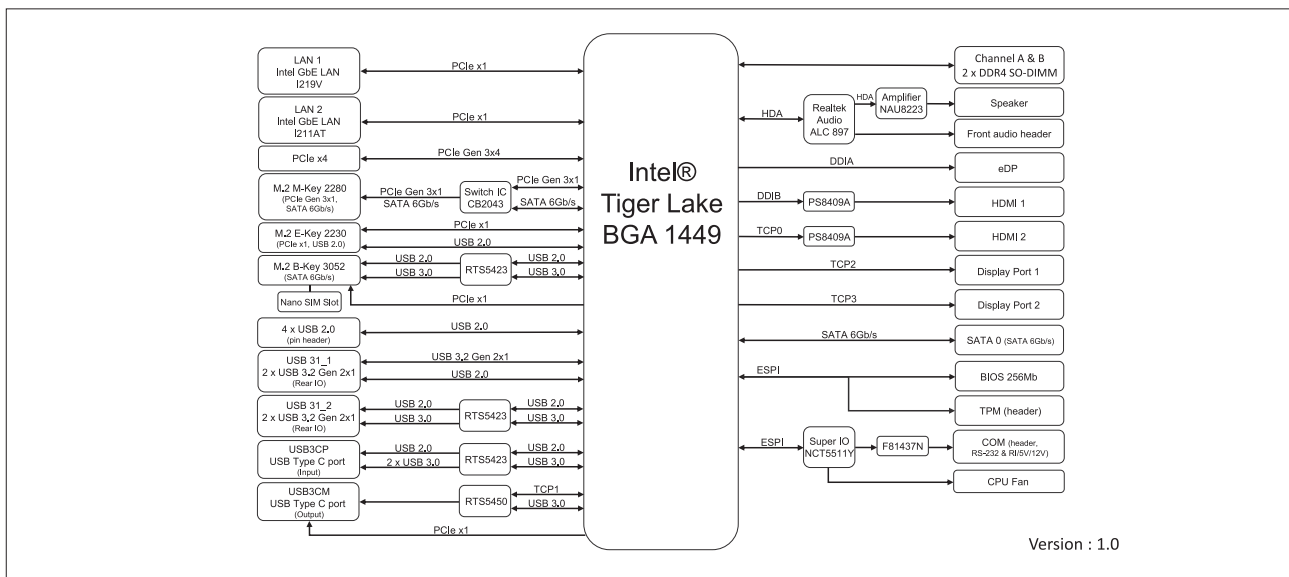
| | |
|-------------|---|
| Form Factor | 3.5" SBC 146W x 101.7Dmm |
| CPU | Intel® Core™ i7-1165G7 Processor 10nm SuperFin, 4 cores, 8 threads, up to 4.7 GHz TDP 28W 12 MB Smart Cache |
| Socket | 1 x FCBGA1449 |
| Chipset | — |
| Memory | 2 x DDR4 SO-DIMM sockets, Max. Capacity 64 GB Support Dual Channel DDR4 3200MHz memory modules |
| Ethernet | 2 x GbE LAN Ports (Intel® I219V and Intel® I211AT) |
| Video | Integrated Graphics Processor - Intel® Iris® Xe Graphics: 2 x HDMI 2.0 ports, supporting a maximum resolution of 4096x2160 @60Hz 2 x DP 1.4 ports, supporting a maximum resolution of 7680x4320 @30Hz 1 x DP 1.4 through USB type C (8k), supporting a maximum resolution of 7680x4320 @30Hz 1 x eDP port, supporting a maximum resolution of 4096x2304 @60Hz (4 independent display outputs) |

| | |
|----------------------|--|
| Audio | Realtek® Audio Codec |
| Storage | 1 x SATA 6Gb/s port |
| Raid | Intel® SATA RAID 0/1 |
| Expansion Slots | 1 x 2280 M.2 M-Key (PCIe x2, SATA 6Gb/s) 1 x 2230 M.2 E-Key 1 x 3052 M.2 B-Key with SIM Slot (Support 5G) 1 x PCIe x4 (Board to Wire connector) |
| Internal I/O | 1 x 4-pin box power connector (DC in +12V~24VDC) 1 x SATA Power header 1 x CPU fan header 1 x Front panel header 1 x Front panel audio header 1 x 2W Speaker out header 4 x USB 2.0 headers 1 x COM header (RS-232 & RI/5V/12V) 1 x eDP power header |
| Rear I/O | 1 x USB type C (USB 3.2 Gen 2x1 + DP output-share with DP) & PD Out -100W 1 x USB type C (USB 3.2 Gen 2x1, PD input-100W) 4 x USB 3.2 Gen 2x1 2 x HDMI 2 x DP 2 x RJ45 LAN Ports |
| TPM | 1 x TPM header |
| OS Compatibility | Windows® 10/11 (x64) |
| Operating Properties | Operating temperature: 0°C to 60°C Operating humidity: 0-90% (non-condensing) Non-operating temperature: -40°C to 85°C Non-operating humidity: 0%-95% (non-condensing) |
| Packing Content | Carton size: 465 x 351 x 217 (mm) Packing Capacity: 10pcs Single Box size: 221 x 178 x 65 (mm) Including: SATA power Cable x 1 (P/N: 25CRI-200B02-K1R) |
| Order Information | 9MTGU7ASMR-SI (Box Packing) |

GIGAIPC reserves the right to modify or change technical data without prior notice.



Block Diagram



Optional Kit

| Part No. | Description | Quantity |
|------------------|------------------|----------|
| 25ST1-1Z3101-AFR | Fanless Heatsink | 1 |
| 25ST4-113101-A7R | Fansink | 1 |
| 25ST5-111500-Y0R | Heat spreader | 1 |
| 9CTM010NR-00 | TPM 2.0 module | 1 |
| 25CRZ-100600-S9R | TPM Cable | 1 |

GIGAIPC reserves the right to modify or change technical data without prior notice.