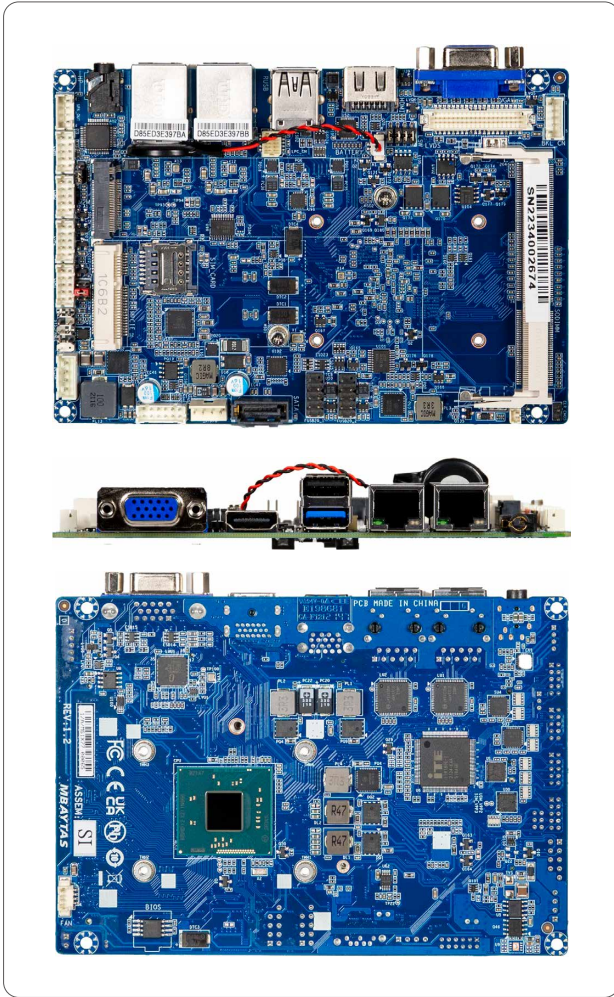


QBIP-1900A (MBAYTAS)

3.5" SubCompact Embedded Motherboard with Intel® J1900 Processor, Single Channel DDR3L memory, 4 x COM, 1 x SATA 3Gb/s, 6 x USB



Features

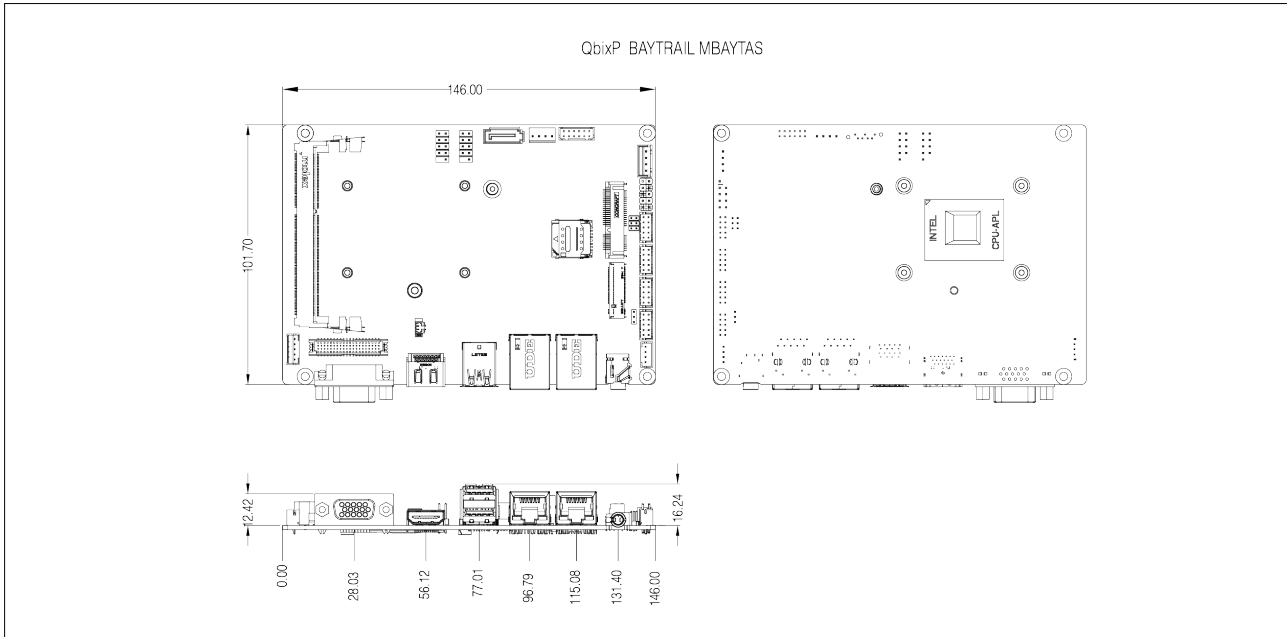
- 3.5" SBC
- Intel® Celeron® J1900 Processor
- Single Channel DDR3L, 1 x SO-DIMM
- 2 x GbE LAN Ports
- 1 x SATA 3Gb/s Port
- M.2 with SATA 3Gb/s
- HDMI, D-sub, LVDS ports for multiple display
- 1 x COM Port (RS-232/422/485 & RI/5V/12V)
- 1 x COM Port (RS-232/422/485)
- 2 x COM Ports (RS-232)

Specifications

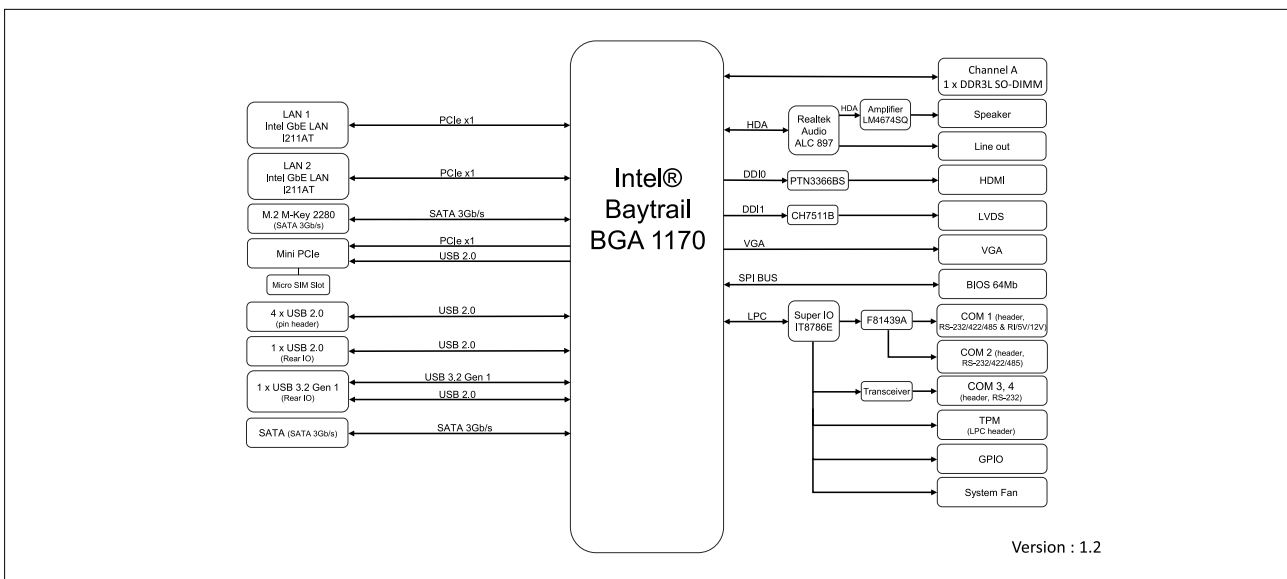
Form Factor	3.5" SBC 146W x 101.7Dmm
CPU	Intel® Celeron® J1900 Processor 22nm, 4 cores, 4 threads, up to 2.42 GHz TDP 10W
Socket	1 x FCBGA1170
Chipset	—
Memory	1 x DDR3L SO-DIMM socket, Max. Capacity 8 GB Support Single channel DDR3L 1333 MHz memory modules
Ethernet	2 x GbE LAN Ports (Intel® I211AT)
Video	Integrated Graphics Processor -Intel® HD Graphics 500 1 x HDMI 1.4 port, supporting a maximum resolution of 1920x1200 @60Hz 1 x VGA port, supporting a maximum resolution of 2560x1600 @60Hz (with compatible displays) 1 x LVDS port, supporting a maximum resolution of 1920x1080 @60Hz (2 independent display outputs)

Audio	Realtek® Audio Codec
Storage	1 x SATA 3Gb/s Port
Raid	—
Expansion Slots	1 x 2280 M.2 M-Key (SATA 3Gb/s) 1 x Full-size Mini PCIe with SIM slot (PCIe x1 + USB2.0) -- support 3G/4G module
Internal I/O	1 x 4-pin box power connector (DC in +9V~36VDC) (+48VDC Optional) 1 x SATA Power header 1 x System fan header 1 x Front panel header 1 x 2W Speaker out header 4 x USB 2.0 headers 2 x COM headers (RS-232) 1 x COM header (RS-232/422/485) 1 x COM header (RS-232/422/485 & RI/5V/12V) 1 x Backlight Control header 1 x AT/ATX mode select jumper 1 x GPIO (8-bits) & SMBus header 1 x Buzzer header
Rear I/O	1 x Headphone Jack 1 x HDMI 1 x VGA 2 x RJ45 LAN Ports 1 x USB 2.0 1 x USB 3.2 Gen 1
TPM	1 x TPM header
OS Compatibility	Windows 10 (x64)
Operating Properties	Operating temperature: 0°C to 60°C Operating humidity: 0-90% (non-condensing) Non-operating temperature: -40°C to +85°C Non-operating humidity: 0%-95% (non-condensing)
Packing Content	Carton size: 465 x 351 x 217 (mm) Packing Capacity: 10pcs Single Box size: 221 x 178 x 65 (mm) Including: SATA power Cable x 1 (P/N: 25CRI-200B02-K1R)
Order Information	9MBAYTASMR-SI (Box packing)

GIGAIPC reserves the right to modify or change technical data without prior notice.



Block Diagram



Optional Kit

Part No.	Description	Quantity
25ST1-153107-A7R	Fanless Heatsink	1
25ST5-CBAB00-A8R	Heat spreader	1
9CTM000NR-00	TPM 2.0 module	1
25CRZ-100600-S9R	TPM Cable	1

GIGAIPC reserves the right to modify or change technical data without prior notice.