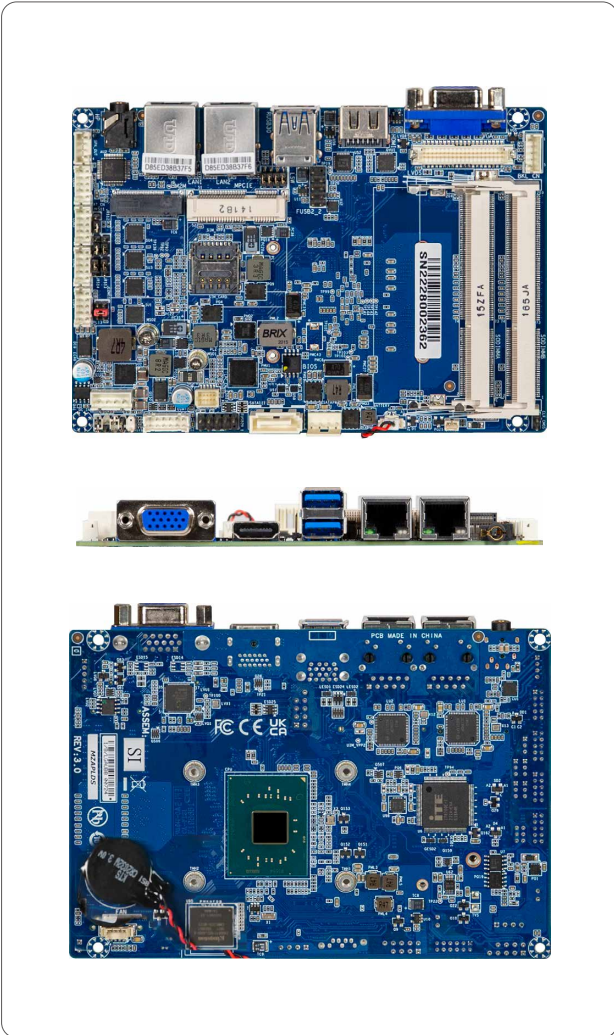


QBIP-4200B (MZAPLCS)

3.5" SubCompact Embedded Motherboard with Intel® N4200 Processor, Dual Channel DDR3L memory, 4 x COM , 1 x SATA 6Gb/s, 6 x USB, eMMC



Features

- 3.5" SBC
- Intel® Pentium® N4200 Processor
- Dual Channel DDR3L, 2 x SO-DIMMs
- 2 x GbE LAN Ports
- 1 x SATA 6Gb/s Port
- M.2 with SATA 6Gb/s
- HDMI, D-sub, LVDS ports for multiple display
- eMMC 32GB
- 1 x COM Port (RS-232/422/485 & RI/5V/12V)
- 3 x COM Ports (RS-232)

Audio	Realtek® ALC897
Storage	1 x SATA 6Gb/s Port 1 x eMMC 32GB
Raid	—
Expansion Slots	1 x 2242 M.2 M-Key (SATA 6Gb/s) 1 x Full-size Mini PCIe with SIM slot (PCIe x1 + USB2.0) -- support 3G/4G module
Internal I/O	1 x 4-pin box power connector (+9V~36VDC) 1 x SATA Power header 1 x System fan header 1 x Front panel header 1 x 2W Speaker out header 4 x USB 2.0 headers 3 x COM headers (RS-232) 1 x COM header (RS-232/422/485 & RI/5V/12V) 1 x Backlight control header 1 x AT/ATX mode select jumper 1 x GPIO (8-bits) & SMBus header 1 x Buzzer header
Rear I/O	1 x Headphone jack 1 x HDMI 1 x VGA 2 x RJ45 LAN Ports 2 x USB 3.2 Gen 1
TPM	1 x TPM header
OS Compatibility	Windows® 10 (x64)
Operating Properties	Operating temperature: 0°C to +60°C Operating humidity: 0-90% (non-condensing) Non-operating temperature: -40°C to +85°C Non-operating humidity: 0%-95% (non-condensing)
Packing Content	Carton size: 384 x 251 x 211 (mm) Packing Capacity: 20pcs Single Box size: 168 x 112 x 34 (mm) Including: SATA power Cable x 1 (P/N: 25CRI-200B02-K1R)
Order Information	9MZAPLCSMR-SI (Box Packing)

Specifications

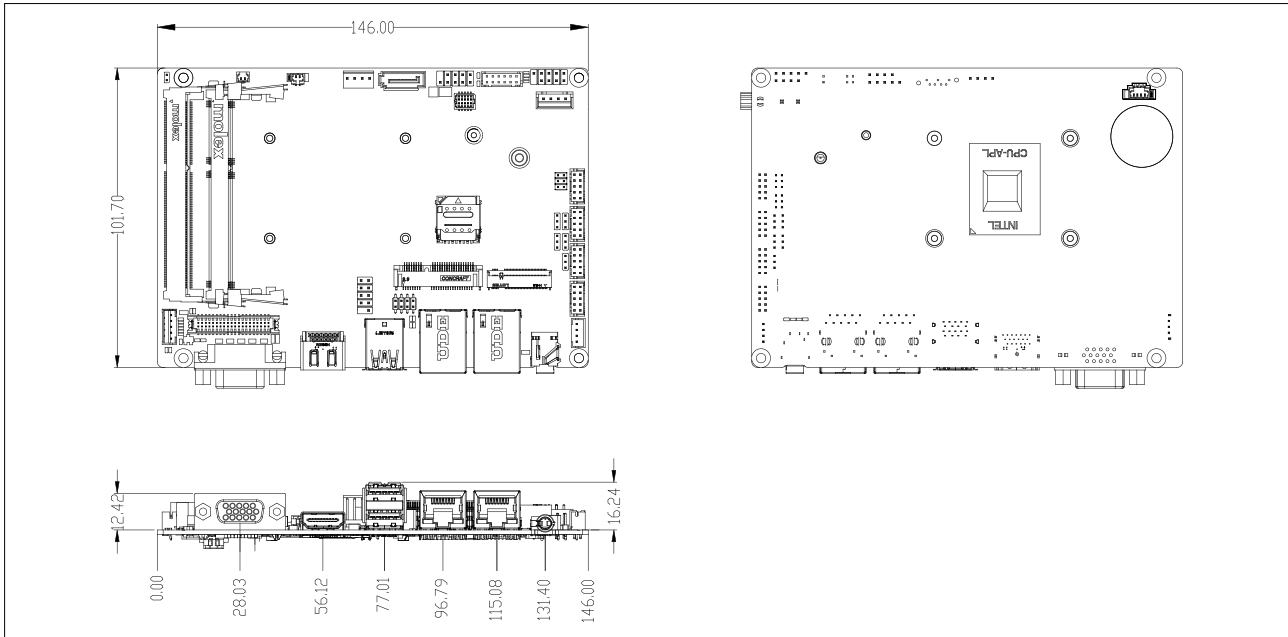
Form Factor	3.5" SBC 146W x 101.7Dmm
CPU	Intel® Pentium® N4200 Processor 14nm, 4 cores, 4 threads, up to 2.50 GHz TDP 6W
Socket	1 x FCBGA1296
Chipset	—
Memory	2 x DDR3L SO-DIMM sockets, Max. Capacity 8 GB Support Dual channel DDR3L 1866 MHz memory module
Ethernet	2 x GbE LAN Ports (Intel® I211AT)
Video	Integrated Graphics Processor -Intel® HD Graphics 505 1 x HDMI 1.4 port, supporting a maximum resolution of 3840x2160 @30Hz 1 x VGA port, supporting a maximum resolution of 1920x1080 @60Hz (with compatible displays) 1 x LVDS port, supporting a maximum resolution of 1920x1200 @60Hz (3 independent display outputs)

- ※ Conditional DC-input 9V support with :
- (1) SATA_PWR support 5V only
 - (2) LVDS backlight cannot support
 - (3) Total power consumption under 50W

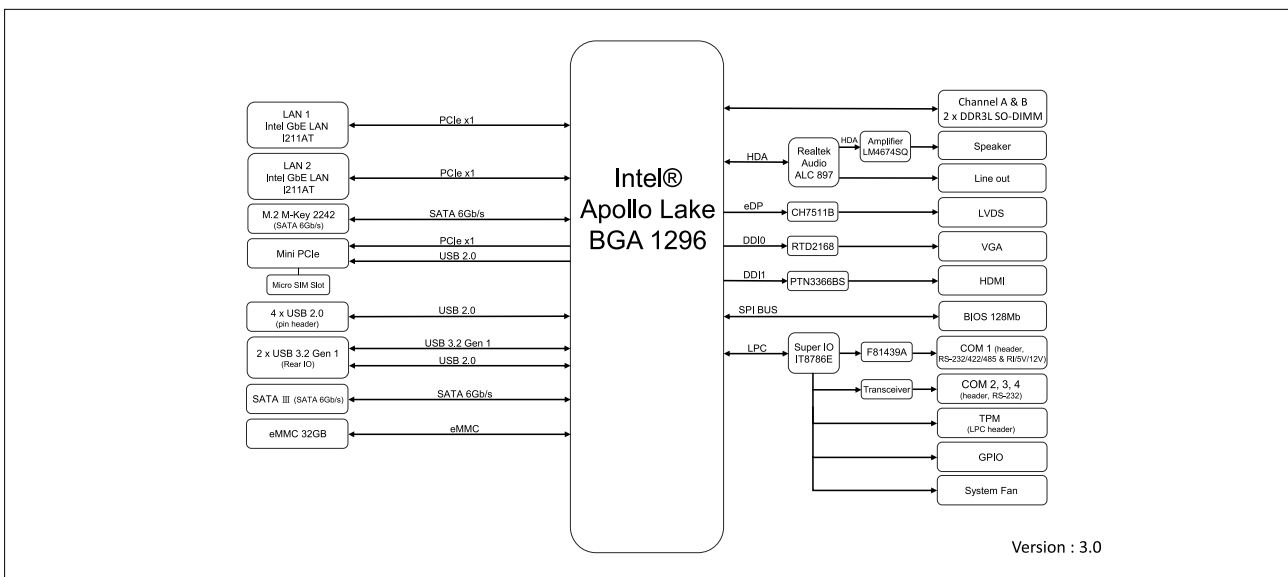
GIGAIPC reserves the right to modify or change technical data without prior notice.

Dimension (Unit: mm)

2023/11/24



Block Diagram



Optional Kit

Part No.	Description	Quantity
25ST1-153109-A7R	Fanless Heatsink	1
25ST5-CBAB00-A8R	Heat spreader	1
9CTM000NR-00	TPM 2.0 module	1
25CRZ-100600-S9R	TPM Cable	1

GIGAIPC reserves the right to modify or change technical data without prior notice.