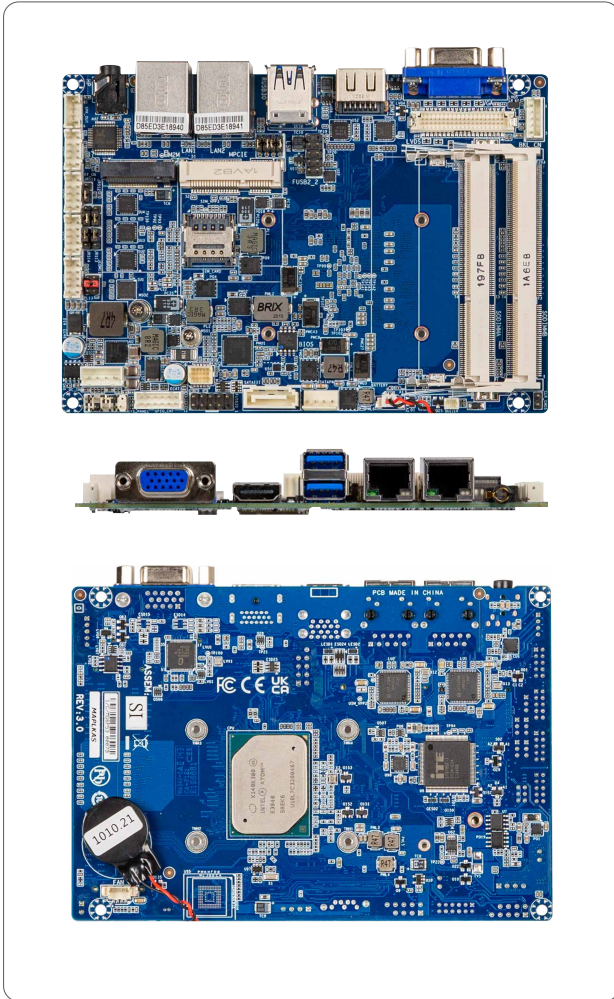


QBIP-E3940A (MAPLKAS)

3.5" SubCompact Embedded Motherboard with Intel® x5-E3940 Processor, Dual Channel DDR3L Memory, 4 x COM, 1 x SATA 6Gb/s, 6 x USB



Features

- 3.5" SBC
- Intel® Atom® x5-E3940
- Dual Channel DDR3L, 2 x SO-DIMMs
- 2 x GbE LAN Ports
- 1 x SATA 6Gb/s Port
- M.2 with SATA 6Gb/s
- HDMI, D-sub, LVDS ports for multiple display
- 1 x COM Port (RS-232/422/485 & RI/5V/12V)
- 3 x COM Ports (RS-232)

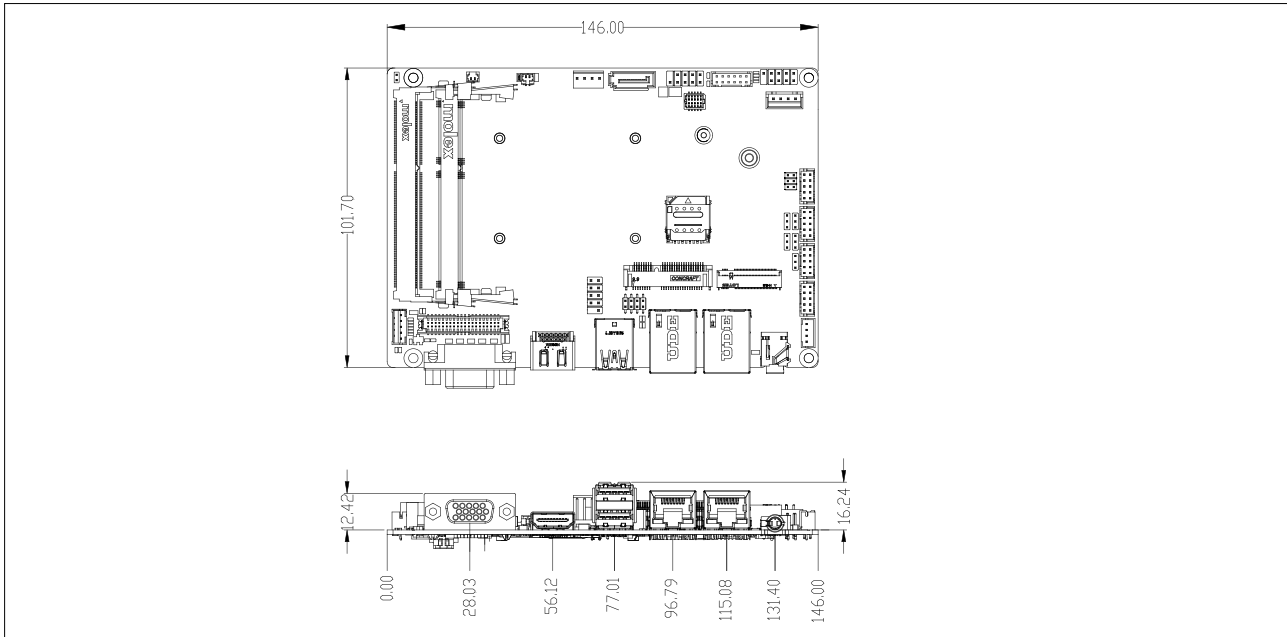
Specifications

Form Factor	3.5" SBC 146W x 101.7Dmm
CPU	Intel® Atom® x5-E3940 Processor 14nm, 4 cores, 4 threads, up to 1.8 GHz TDP 9.5W 2M Cache
Socket	1 x FCBGA1296
Chipset	—
Memory	2 x DDR3L SO-DIMM sockets, Max. Capacity 8 GB Support Dual channel DDR3L 1866 MHz memory modules
Ethernet	2 x GbE LAN Ports (Intel® I211AT)
Video	Integrated Graphics Processor - Intel® HD Graphics 500: 1 x HDMI 1.4 port, supporting a maximum resolution of 3840x2160 @30Hz 1 x VGA port, supporting a maximum resolution of 1920x1080 @60Hz (with compatible displays) 1 x LVDS port, supporting a maximum resolution of 1920x1200 @60Hz (3 independent display outputs)

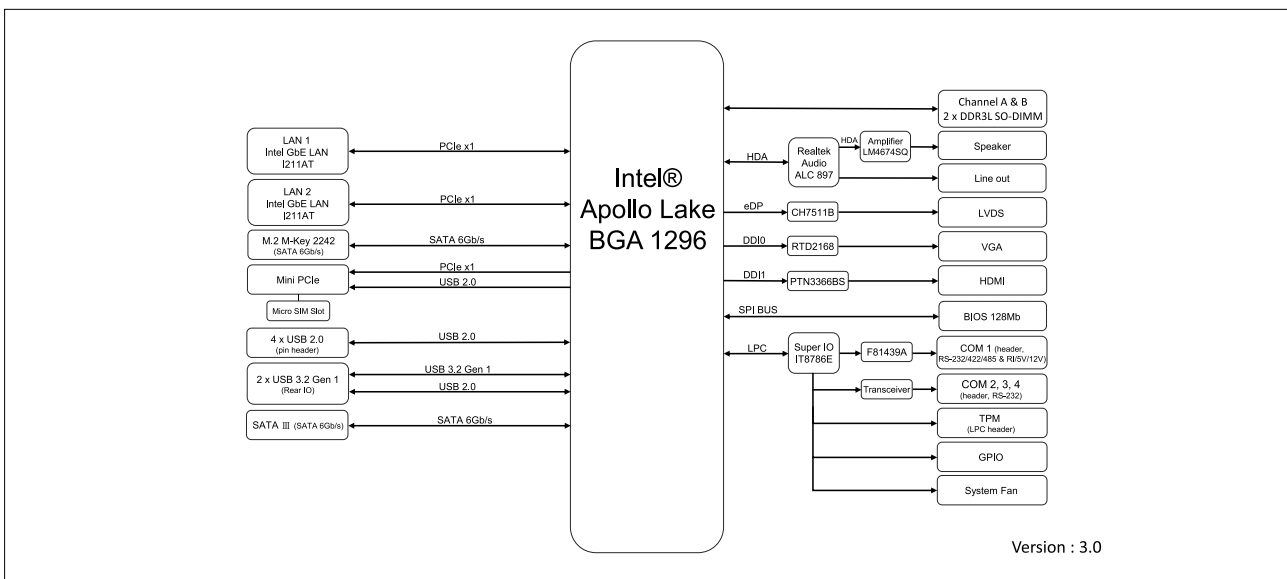
Audio	Realtek® ALC897
Storage	1 x SATA 6Gb/s Port
Raid	—
Expansion Slots	1 x 2242 M.2 M-Key (SATA 6Gb/s) 1 x Full-size Mini PCIe with SIM slot (PCIe x1 + USB2.0) -- support 3G module
Internal I/O	1 x 4-pin box power connector (+9V~36VDC) 1 x SATA Power header 1 x System fan header 1 x Front panel header 1 x 2W Speaker out header 4 x USB 2.0 headers 3 x COM headers (RS-232) 1 x COM header (RS-232/422/485 & RI/5V/12V) 1 x Backlight control header 1 x AT/ATX mode select jumper 1 x GPIO (8-bits) & SMBus header 1 x Buzzer header
Rear I/O	1 x Headphone jack 1 x HDMI 1 x VGA 2 x RJ45 LAN Ports 2 x USB 3.2 Gen 1
TPM	1 x TPM header
OS Compatibility	Windows 10 (x64)
Operating Properties	Operating temperature: 0°C to +60°C Operating humidity: 0-90% (non-condensing) Non-operating temperature: -40°C to +85°C Non-operating humidity: 0%-95% (non-condensing)
Packing Content	Carton size: 465 x 351 x 217 (mm) Packing Capacity: 10pcs Single Box size: 221 x 178 x 65 (mm) Including: SATA power Cable x 1 (P/N: 25CRI-200B02-K1R)
Order Information	9MAPLKASMR-SI (Box Packing)

- ※ Conditional DC-input 9V support with :
- (1) SATA_PWR support 5V only
 - (2) LVDS backlight cannot support
 - (3) Total power consumption under 50W

GIGAIPC reserves the right to modify or change technical data without prior notice.



Block Diagram



Optional Kit

Part No.	Description	Quantity
25ST1-113103-A7R	Fanless Heatsink	1
9CTM000NR-00	TPM 2.0 module	1
25CRZ-100600-S9R	TPM Cable	1

GIGAIPC reserves the right to modify or change technical data without prior notice.