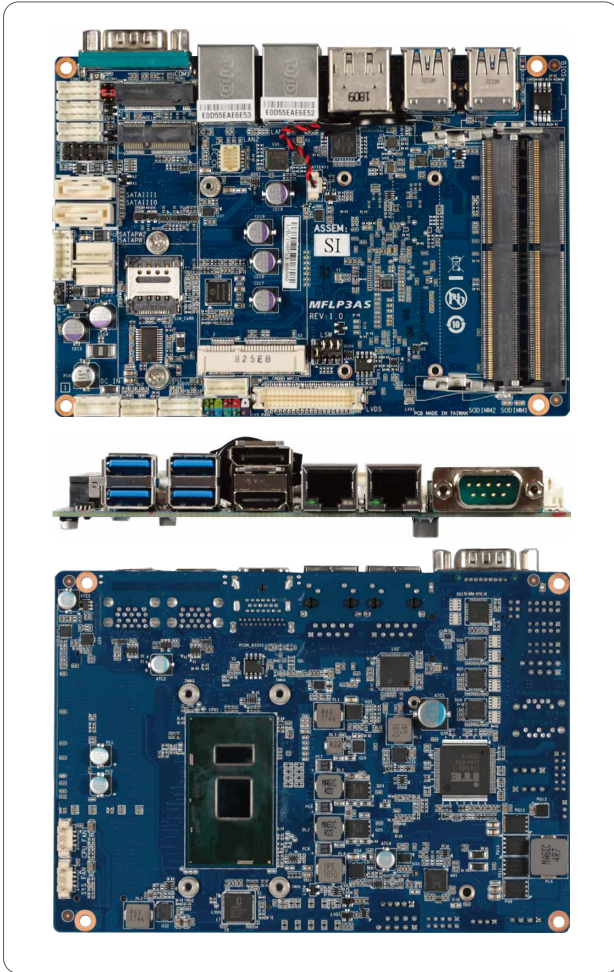


## QBIP-7100AT (MFLP3AS)

3.5" SubCompact Wide Temperature Board with 7th Generation Intel® Core™ i3-7100U Processor, Dual Channel DDR4 memory, 4 x COM, 2 x SATA 6Gb/s, 6 x USB, Temp -20°C to 70°C



### Features

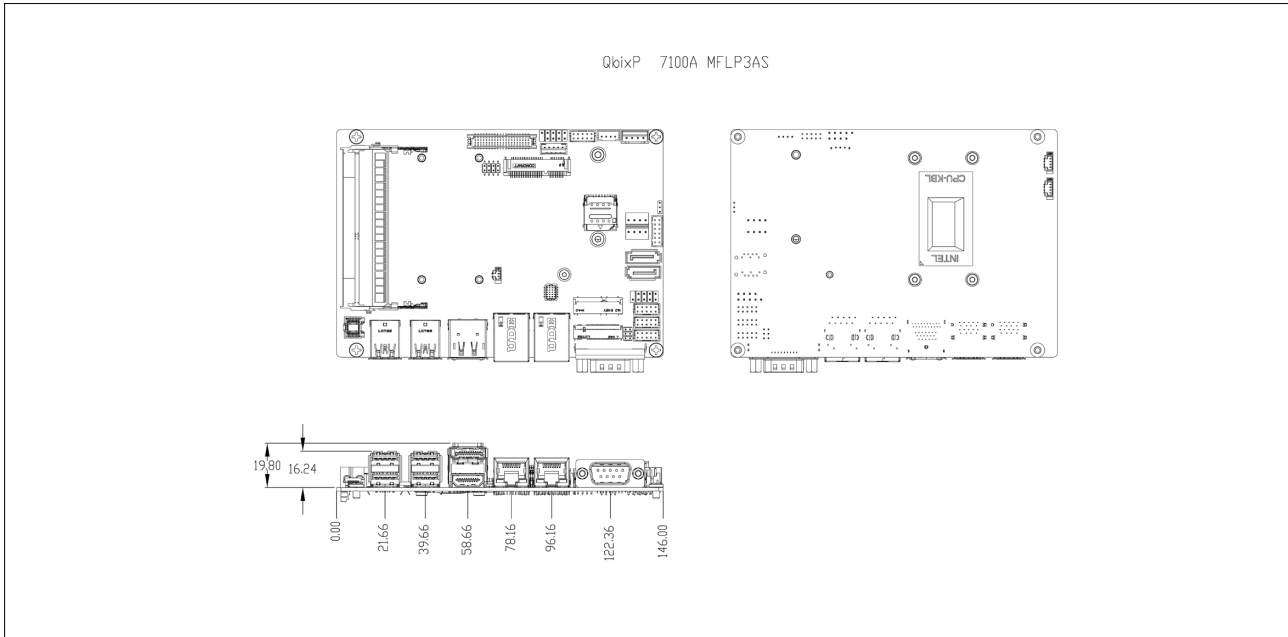
- 3.5" SBC
- Intel® Core™ i3-7100U Processor
- Dual Channel DDR4, 2 x SO-DIMMs
- Intel® Optane™ Memory Ready
- 2 x GbE LAN Ports
- 2 x SATA 6Gb/s Ports
- Ultra-Fast M.2 with PCIe Gen3 x4 interface
- HDMI2.0, Display Port, LVDS ports for multiple display
- 1 x COM Port (RS-232/422/485 & RI/5V/12V)
- 3 x COM Ports (RS-232)
- Wide Temperature Embedded Motherboard

### Specifications

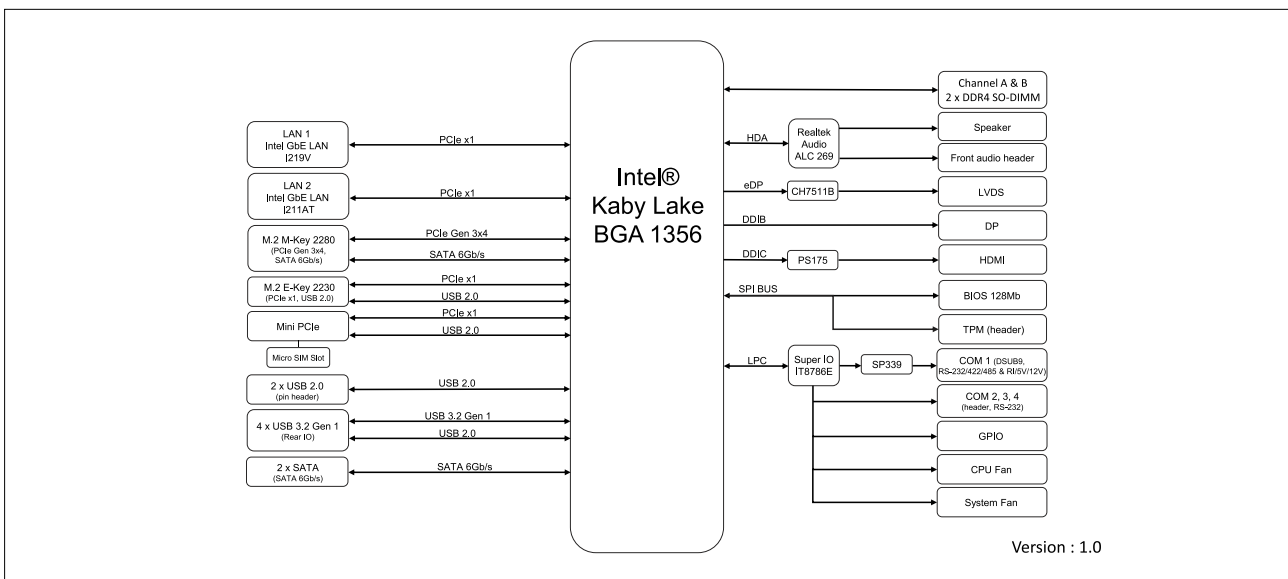
Form Factor	3.5" SBC 146W x 101.7Dmm
CPU	Intel® Core™ i3-7100U Processor 14nm, 2 cores, 4 threads, 2.4 GHz TDP 15W 3 MB SmartCache
Socket	1 x FCBGA1356
Chipset	—
Memory	2 x DDR4 SO-DIMM sockets, Max. Capacity 32 GB Support Dual channel DDR4 2133 MHz memory modules
Ethernet	2 x GbE LAN Ports (Intel® I219V and Intel® I211AT)
Video	Integrated Graphics Processor - Intel® HD Graphics 620 support 1 x HDMI 2.0 port, supporting a maximum resolution of 4096x2160 @60Hz 1 x DP port, supporting a maximum resolution of 4096x2160 @60Hz 1 x LVDS port, supporting a maximum resolution of 1920x1080 @60Hz  (3 independent display outputs)

Audio	Realtek® Audio Codec
Storage	2 x SATA 6Gb/s Ports
Raid	Intel® SATA RAID 0/1/5
Expansion Slots	1 x 2280 M.2 M-Key (PCIe x4, SATA 6Gb/s) 1 x 2230 M.2 E-Key 1 x Full-size Mini PCIe with SIM slot (PCIe x1 + USB2.0) -- support 3G/4G module
Internal I/O	1 x 4-pin box power connector (+9V~36VDC) 2 x SATA Power headers 1 x CPU fan header 1 x System fan header 1 x Front panel header 1 x Front panel audio header 1 x 2W Speaker out header 2 x USB 2.0 headers 3 x COM headers (RS-232) 1 x Backlight control header 1 x AT/ATX mode select jumper 1 x GPIO (8-bits) & SMBus header
Rear I/O	1 x COM Port (RS-232/422/485 & RI/5V/12V) 1 x HDMI 1 x Display Port 2 x RJ45 LAN Ports 4 x USB 3.2 Gen 1
TPM	1 x TPM header
OS Compatibility	Windows 10 (x64)
Operating Properties	Operating temperature: -20°C to 70°C Operating humidity: 0-90% (non-condensing) Non-operating temperature: -20°C to 70°C Non-operating humidity: 0%-95% (non-condensing)
Packing Content	Carton size: 375 x 324 x 293 (mm) Packing Capacity: 10pcs  Single Box size: 256 x 175 x 59 (mm)  Including: SATA power Cable x 1 (P/N: 25CRI-200B02-K1R) Fanless Heatsink x 1 (P/N: 25ST1-153108-A7R)
Order Information	9MFLP3ASMR-S11 (Box Packing)

GIGAIPC reserves the right to modify or change technical data without prior notice.



## Block Diagram



## Optional Kit

Part No.	Description	Quantity
9CTM000NR-00	TPM 2.0 module	1
25CRZ-100600-S9R	TPM Cable	1

GIGAIPC reserves the right to modify or change technical data without prior notice.