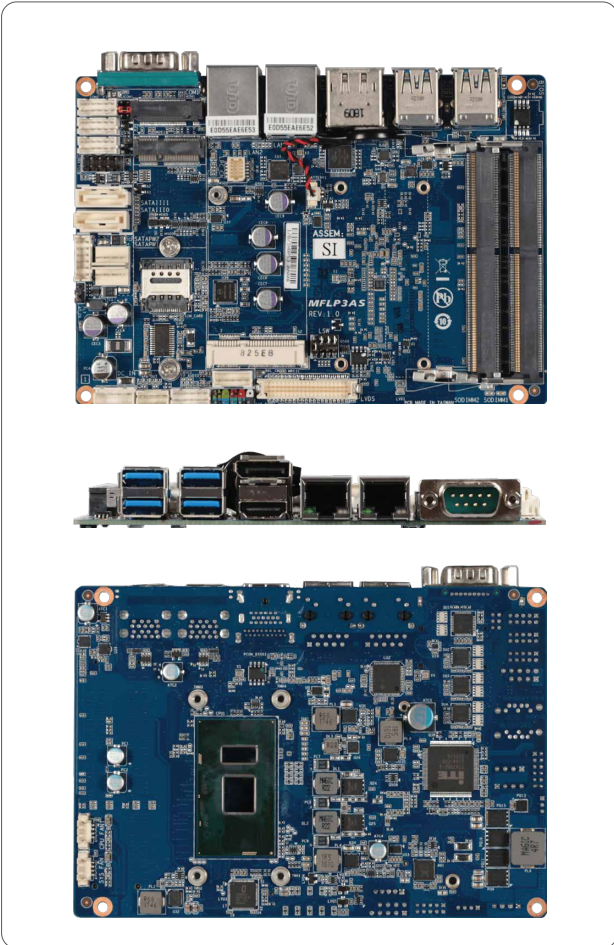


QBIP-7600A (MFLP7BS)

3.5" SubCompact Board with 7th Generation Intel® Core™ i7-7600U Processor, Dual Channel DDR4 memory, 4 x COM, 2 x SATA 6Gb/s, 6 x USB



Features

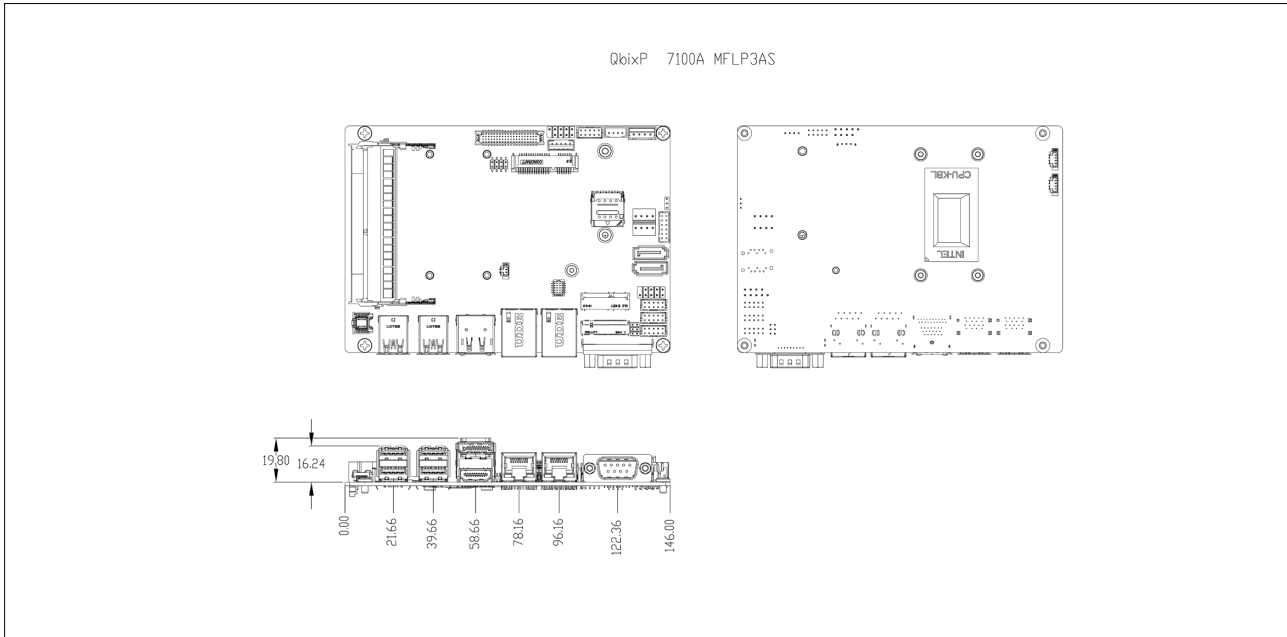
- 3.5" SBC
- Intel® Core™ i7-7600U Processor
- Dual Channel DDR4, 2 x SO-DIMMs
- 2 x GbE LAN ports
- 2 x SATA 6Gb/s ports
- Ultra-Fast M.2 with PCIe Gen3 x4 interface
- HDMI2.0, Display Port, LVDS ports for multiple display
- 1 x COM Port (RS-232/422/485 & RI/5V/12V)
- 3 x COM Ports (RS-232)

Specifications

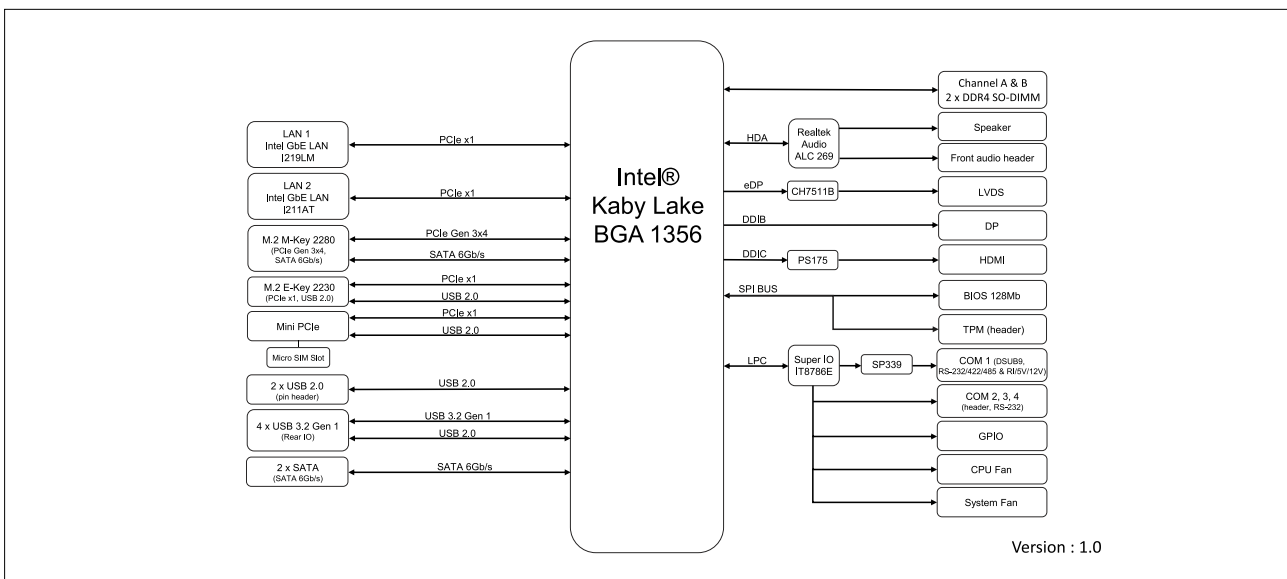
| | |
|-------------|--|
| Form Factor | 3.5" SBC 146W x 101.7Dmm |
| CPU | Intel® Core™ i7-7600U Processor 14nm, 2 cores, 4 threads, up to 3.9 GHz vPro support, TDP 15W 3 MB Smart Cache |
| Socket | 1 x FCBGA1356 |
| Chipset | — |
| Memory | 2 x DDR4 SO-DIMM sockets, Max. Capacity 32 GB Support Dual channel DDR4 2133MHz memory modules |
| Ethernet | 2 x GbE LAN Ports (Intel® I219LM and Intel® I211AT) |
| Video | Integrated Graphics Processor - Intel® UHD Graphics 620 1 x HDMI 2.0 port, supporting a maximum resolution of 4096x2160 @60Hz 1 x DP port, supporting a maximum resolution of 4096x2160 @60Hz 1 x LVDS port, supporting a maximum resolution of 1920x1080 @60Hz (3 independent display outputs) |

| | |
|----------------------|---|
| Audio | Realtek® Audio Codec |
| Storage | 2 x SATA 6Gb/s ports |
| Raid | Intel® SATA RAID 0/1/5 |
| Expansion Slots | 1 x 2280 M.2 M-Key (PCIe x4, SATA 6Gb/s) 1 x 2230 M.2 E-Key 1 x Full-size Mini PCIe with SIM slot (PCIe x1 + USB2.0) -- support 3G/4G module |
| Internal I/O | 1 x 4-pin box power connector (+9V~36VDC) 2 x SATA Power headers 1 x CPU fan header 1 x System fan header 1 x Front panel header 1 x Front panel audio header 1 x 2W Speaker out header 2 x USB 2.0 headers 3 x COM headers (RS-232) 1 x Backlight control header 1 x AT/ATX mode select jumper 1 x GPIO (8-bits) & SMBus header |
| Rear I/O | 1 x COM Port (RS-232/422/485 & RI/5V/12V) 1 x HDMI 1 x Display Port 2 x RJ45 LAN Ports 4 x USB 3.2 Gen 1 |
| TPM | 1 x TPM header |
| OS Compatibility | Windows® 10 (x64) |
| Operating Properties | Operating temperature: 0°C to 60°C Operating humidity: 0-90% (non-condensing) Non-operating temperature: -40°C to 85°C Non-operating humidity: 0%-95% (non-condensing) |
| Packing Content | Carton size: 465 x 351 x 217 (mm) Packing Capacity: 10pcs Single Box size: 221 x 178 x 65 (mm) Including: SATA power Cable x 1 (P/N: 25CRI-200B02-K1R) |
| Order Information | 9MFLP7BSMR-SI (Box Packing) |

GIGAIPC reserves the right to modify or change technical data without prior notice.



Block Diagram



Optional Kit

| Part No. | Description | Quantity |
|------------------|------------------|----------|
| 25ST1-153108-A7R | Fanless Heatsink | 1 |
| 12SF2-01A073-00R | Fansink | 1 |
| 25ST5-CKAC00-A8R | Heat spreader | 1 |
| 9CTM000NR-00 | TPM 2.0 module | 1 |
| 25CRZ-100600-S9R | TPM Cable | 1 |

GIGAIPC reserves the right to modify or change technical data without prior notice.