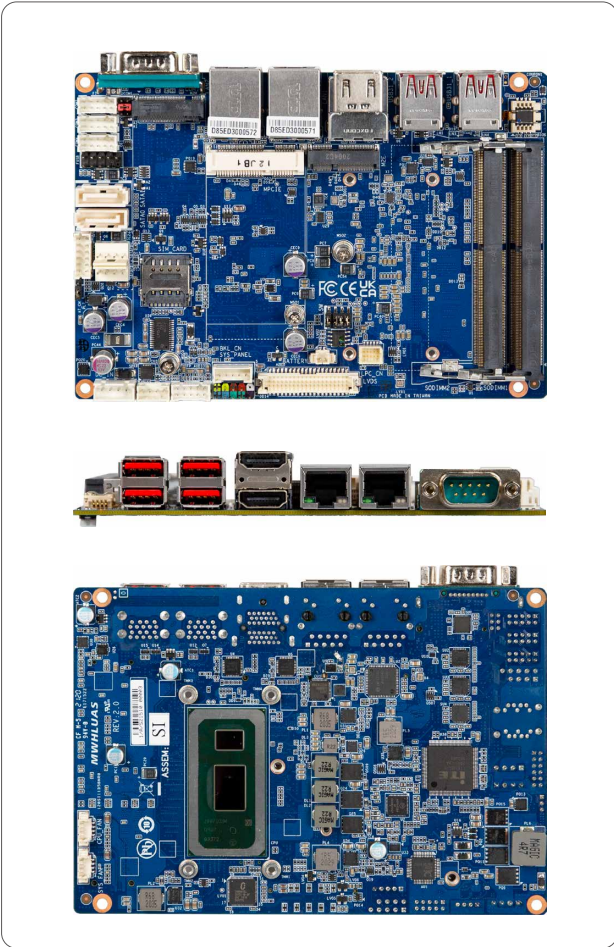


QBIP-8565A (MWHLUAS)

3.5" SubCompact Board with 8th Generation Intel® i7-8565U Processor, Dual Channel DDR4 memory, 4 x COM , 2 x SATA 6Gb/s, 4 x USB 3.2 Gen 2x1, 2 x USB 2.0



Features

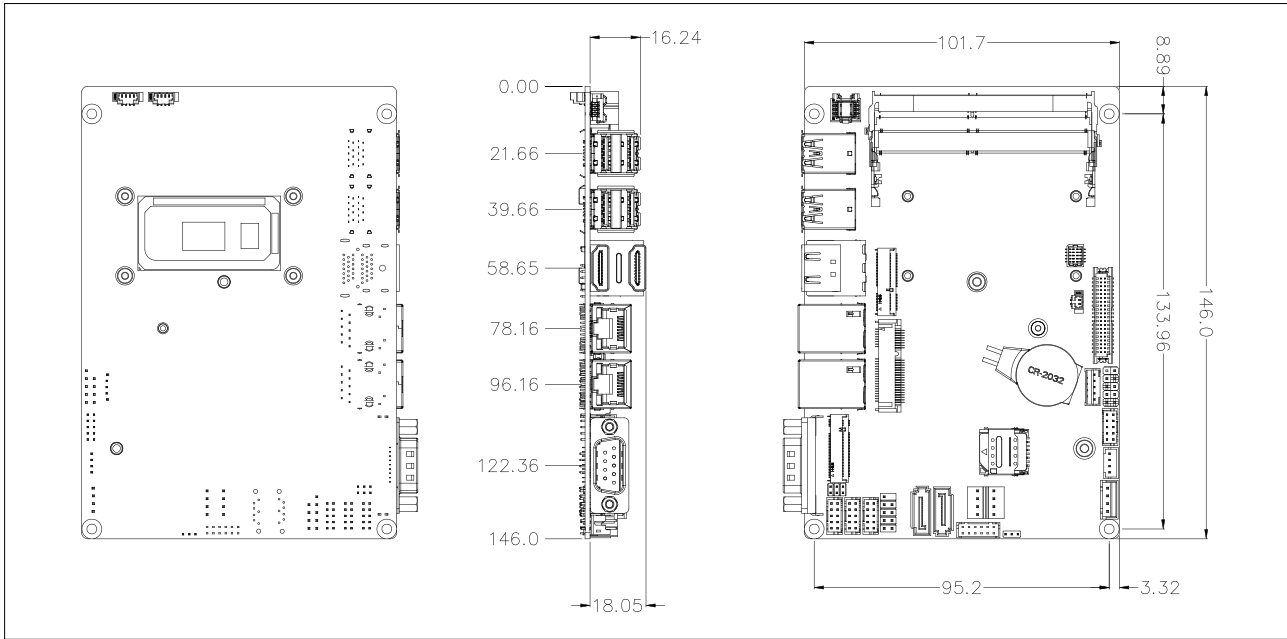
- 3.5" SBC
- Intel® Core™ i7-8565U Processor
- Dual Channel DDR4, 2 x SO-DIMMs
- 2 x GbE LAN Ports
- 2 x SATA 6Gb/s Ports
- Ultra-Fast M.2 with PCIe Gen3 x4 interface
- 2 x HDMI, LVDS ports for multiple display
- 1 x COM Port (RS-232/422/485 & RI/5V/12V)
- 3 x COM Ports (RS-232)
- 4 x USB 3.2 Gen 2x1

Specifications

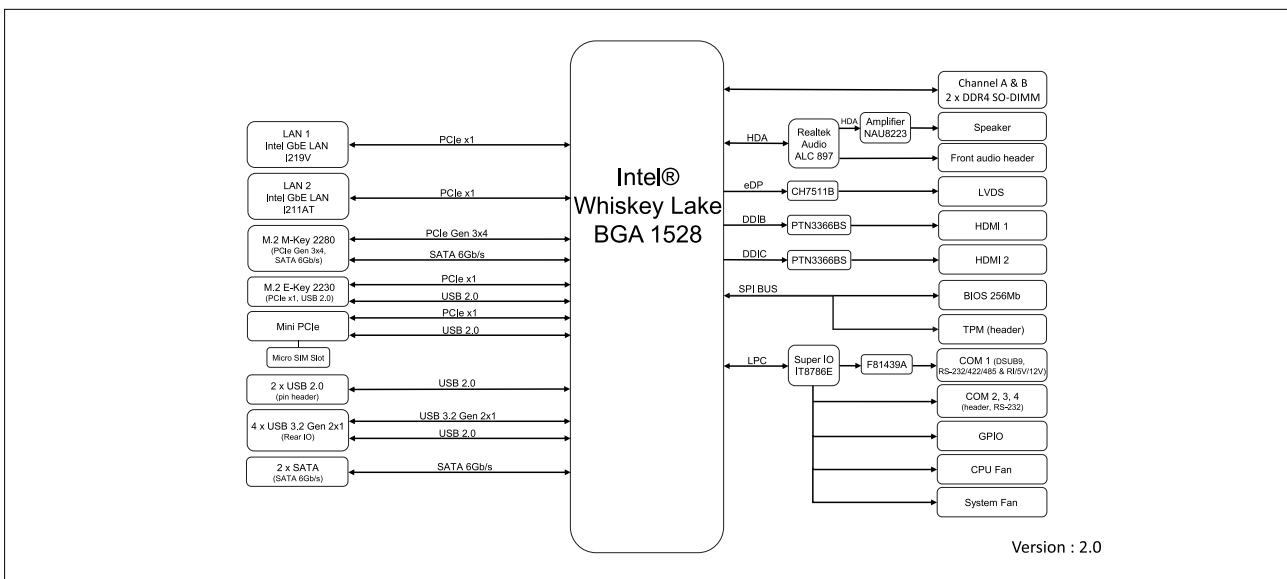
Form Factor	3.5" SBC 146W x 101.7Dmm
CPU	Intel® Core™ i7-8565U Processor 14nm, 4 cores, 8 threads, up to 4.6 GHz TDP 15W 8 MB Intel® Smart Cache
Socket	1 x FCBGA1528
Chipset	—
Memory	2 x DDR4 SO-DIMM sockets, Max. Capacity 64 GB Support Dual Channel DDR4 2400MHz memory modules
Ethernet	2 x GbE LAN Ports (Intel® I219V and Intel® I211AT)
Video	Integrated Graphics Processor - Intel® UHD Graphics 620: 2 x HDMI1.4 port, supporting a maximum resolution of 4096x2304 @24Hz 1 x LVDS port, supporting a maximum resolution of 1920x1080 @60Hz (3 independent display outputs)

Audio	Realtek® Audio Codec
Storage	2 x SATA 6Gb/s Ports
Raid	Intel® SATA RAID 0/1/5
Expansion Slots	1 x 2280 M.2 M-Key (PCIe x4, SATA 6Gb/s) 1 x 2230 M.2 E-Key 1 x Full-size Mini PCIe with SIM slot (PCIe x1 + USB2.0) -- support 3G/4G module
Internal I/O	1 x 4-pin box power connector (DC in +9V~36VDC) (+48VDC for Optional) 2 x SATA Power headers 1 x CPU fan header 1 x System fan header 1 x Front panel header 1 x Front panel audio header 1 x 2W Speaker out header 2 x USB 2.0 headers 3 x COM headers (RS-232) 1 x Backlight Control header 1 x AT/ATX mode select jumper 1 x GPIO (8-bits) & SMBus header
Rear I/O	1 x COM Port (RS-232/422/485 & RI/5V/12V) 2 x HDMI 2 x RJ45 LAN Ports 4 x USB 3.2 Gen 2x1
TPM	1 x TPM header
OS Compatibility	Windows® 10 (x64)
Operating Properties	Operating temperature: 0°C to 60°C Operating humidity: 0-90% (non-condensing) Non-operating temperature: -40°C to 85°C Non-operating humidity: 0%-95% (non-condensing)
Packing Content	Carton size: 465 x 351 x 217 (mm) Packing Capacity: 10pcs Single Box size: 221 x 178 x 65 (mm) Including: SATA power Cable x 1 (P/N: 25CRI-200B02-K1R)
Order Information	9MWHLUASMR-SI (Box Packing)

GIGAIPC reserves the right to modify or change technical data without prior notice.



Block Diagram



Optional Kit

Part No.	Description	Quantity
25ST1-153108-A7R	Fanless Heatsink	1
25ST4-113100-A7R	Fansink	1
25ST5-8265A0-A8R	Heat spreader	1
9CTM000NR-00	TPM 2.0 module	1
25CRZ-100600-S9R	TPM Cable	1

GIGAIPC reserves the right to modify or change technical data without prior notice.