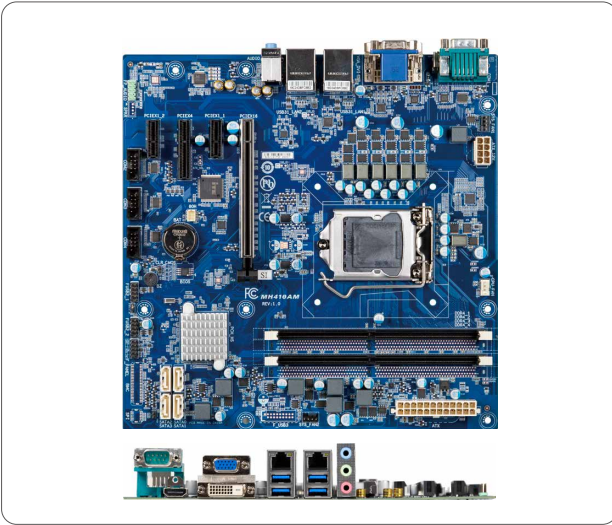


uATX-H410A (MH410AM)

Micro-ATX with Intel® H410 Chipset, support 10th Generation Intel® Core™ Processor, Dual channel DDR4 memory, PCIe , 4 x COM , 8 x USB, 4 x SATA 6Gb/s



Features

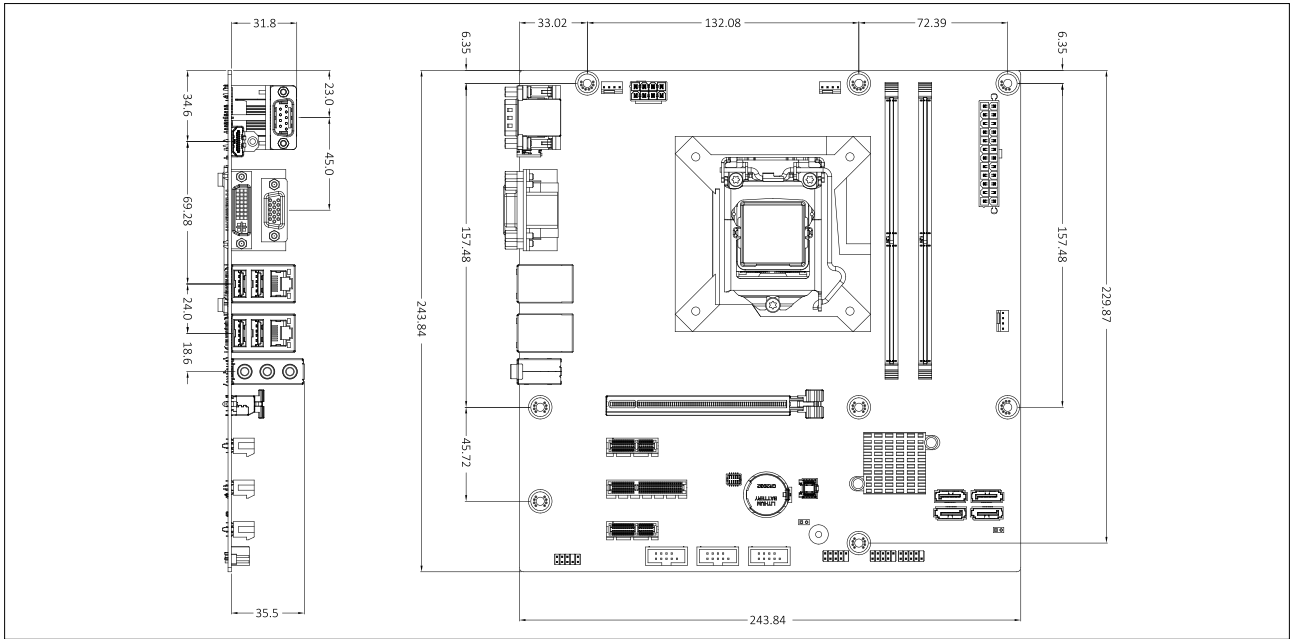
- Micro ATX form factor
- Support 10th Generation Intel® Core™ Processors
- Intel® H410 Express Chipset
- Dual Channel DDR4, 2 x DIMMs
- 2 x GbE LAN Ports
- 4 x SATA 6Gb/s Ports
- HDMI 1.4, DVI-D, VGA ports for multiple displays
- Up to 4 x PCIe Gen3 expansion slots
- 4 x USB 3.2 Gen 1
- 4 x COM Ports (RS-232)
- Onboard TPM 2.0 security chip

Specifications

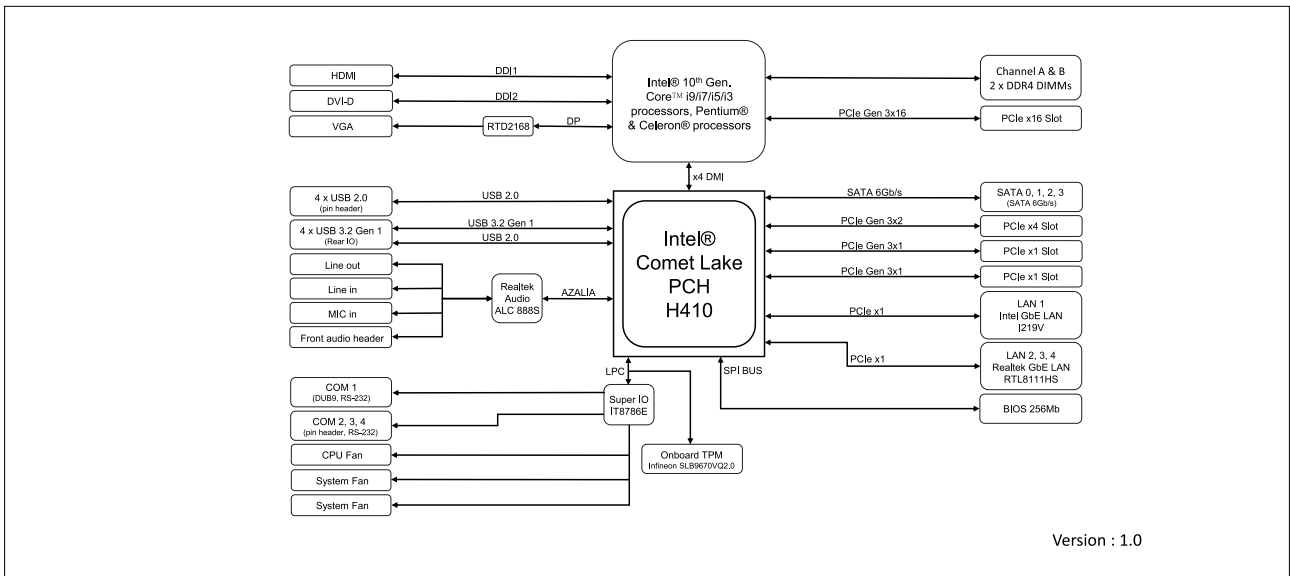
Form Factor	Micro ATX 244W x 244D (mm)
CPU	Support for 10th Generation Intel® Core™ i9/i7/i5/i3 processors, Pentium® & Celeron® processors in the LGA1200 package TDP under 65W
Socket	1 x LGA 1200
Chipset	Intel® H410 Express Chipset
Memory	2 x DDR4 DIMM sockets, Max. Capacity 64 GB Support Dual channel DDR4 2933/2666 MHz memory modules
Ethernet	2 x GbE LAN Ports (Intel® I219V and Realtek® RTL8111HS)
Video	Integrated Graphics Processor - depends on CPU: 1 x HDMI 1.4 port, supporting a maximum resolution of 4096x2160 @30Hz 1 x DVI-D port, supporting a maximum resolution of 1920x1200 @60Hz 1 x VGA port, supporting a maximum resolution of 1920x1200 @60Hz (2 independent display outputs)
Audio	Realtek® Audio Codec
Storage	4 x SATA 6Gb/s Ports
Expansion Slots	1 x PCIe x16 (Gen3 x16) 1 x PCIe x4 (Gen3 x2) 2 x PCIe x1 (Gen3 x1)
Internal I/O	1 x 24-pin ATX main power connector 1 x 8-pin ATX 12V power connector 1 x CPU fan header 2 x System fan headers 1 x Front panel header 1 x Front panel audio header 4 x USB 2.0 headers 3 x COM headers (RS-232) 1 x Clear CMOS jumper 1 x Buzzer 1 x Case open header

Rear I/O	3 x Audio Jacks (Line in, Line out, Mic in) 1 x COM Port (RS-232) 1 x HDMI 1 x DVI-D 1 x VGA 2 x RJ45 LAN Ports 4 x USB 3.2 Gen 1
TPM	Onboard TPM 2.0 security chip INFINEON SLB9670VQ2.0
OS Compatibility	Windows 10 (x64) Linux
Operating Properties	Operating temperature: 0°C to 60°C Operating humidity: 0-90% (non-condensing) Non-operating temperature: -20°C to 70°C Non-operating humidity: 0%-95% (non-condensing)
Packing Content	Carton size: 609 x 581 x 362 (mm) Packing Capacity: 20pcs Including: IO Shield x 1 (P/N: 12AIO-MH4100-00R) SATA Cable x 2 (P/N: 12CF1-2SAT1B-01R)
Order Information	9MH410AMNR-SI (Bulk packing)

GIGAIPC reserves the right to modify or change technical data without prior notice.



Block Diagram



GIGAIPC reserves the right to modify or change technical data without prior notice.