

## uATX-Q370A (MQ370AM)

Micro-ATX with Intel® Q370 Chipset, support 9th/8th Generation Intel® Core™ Processor, Dual channel DDR4 memory, PCIe, 4 x COM, 10 x USB, 6 x SATA 6Gb/s



### Features

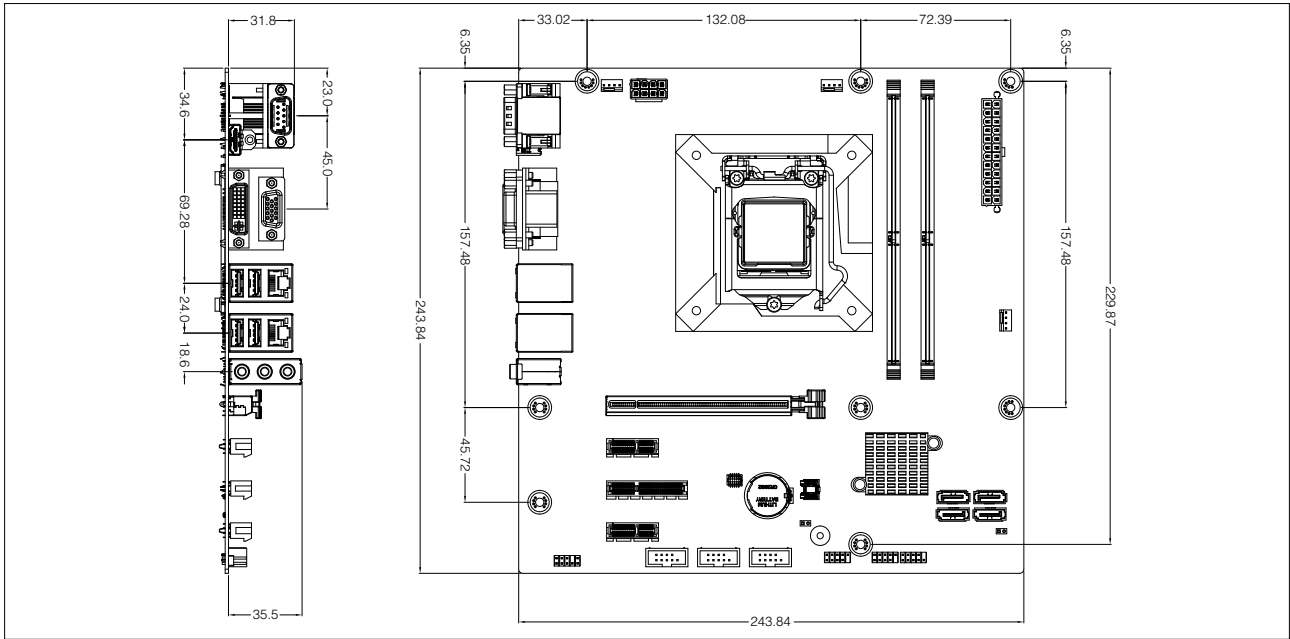
- Micro ATX form factor
- Support 9th/8th Generation Intel® Core™ Processors
- Intel® Q370 Express Chipset
- Dual Channel Non-ECC Unbuffered DDR4, 4 x DIMMs
- 2 x GbE LAN Ports
- 6 x SATA 6Gb/s Ports
- Ultra-Fast M.2 with PCIe Gen3 x4 interface
- HDMI 1.4, DVI-D, VGA ports for multiple displays
- Up to 4 x PCIe Gen3 expansion slots
- 1 x USB 3.2 Gen 2x1
- 4 x COM Ports (RS-232)
- Onboard TPM 2.0 security chip

### Specifications

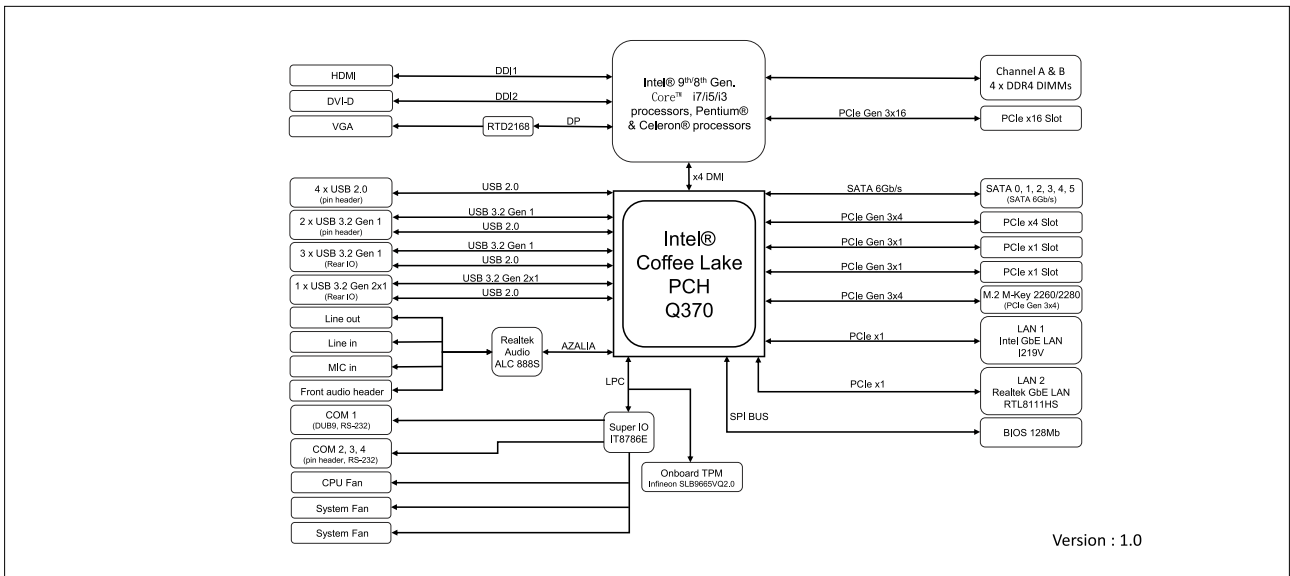
Form Factor	Micro ATX 244W x 244D (mm)
CPU	Support for 9th/8th Generation Intel® Core™ i7/i5/i3 processors, Pentium® & Celeron® processors in the LGA1151 package TDP under 95W L3 cache varies with CPU
Socket	1 x LGA 1151
Chipset	Intel® Q370 Express Chipset
Memory	4 x DDR4 DIMM sockets, Max. Capacity 64 GB Support Dual channel DDR4 2666/2400 MHz memory modules
Ethernet	2 x GbE LAN Ports (Intel® I219V and Realtek® RTL8111HS)
Video	Integrated Graphics Processor - depends on CPU: 1 x HDMI 1.4 port, supporting a maximum resolution of 4096x2160 @30Hz 1 x DVI-D port, supporting a maximum resolution of 1920x1200 @60Hz 1 x VGA port, supporting a maximum resolution of 1920x1200 @60Hz * The DVI-D port does not support VGA connection by adapter  (3 independent display outputs)
Audio	Realtek® Audio Codec
Storage	6 x SATA 6Gb/s Ports (RAID 0/1/5/10)
Expansion Slots	1 x PCIe x16 (Gen3 x16) 1 x PCIe x4 (Gen3 x4) 2 x PCIe x1 (Gen3 x1) 1 x 2280/2260 M.2 M-Key (PCIe x4)

Internal I/O	1 x 24-pin ATX main power connector 1 x 8-pin ATX 12V power connector 1 x CPU fan header 2 x System fan headers 1 x Front panel header 1 x Front panel audio header 4 x USB 2.0 headers 2 x USB 3.2 Gen 1 headers 3 x COM headers (RS-232) 1 x Clear CMOS jumper 1 x Buzzer 1 x AT/ATX mode select jumper
Rear I/O	3 x Audio Jacks (Line in, Line out, Mic in) 1 x COM Port (RS-232) 1 x HDMI 1 x DVI-D 1 x VGA 2 x RJ45 LAN Ports 3 x USB 3.2 Gen 1 1 x USB 3.2 Gen 2x1
TPM	Onboard TPM 2.0 security chip INFINEON SLB9665VQ2.0
OS Compatibility	Windows 10 (x64) Linux
Operating Properties	Operating temperature: 0°C to 60°C Operating humidity: 0-90% (non-condensing) Non-operating temperature: -20°C to 70°C Non-operating humidity: 0%-95% (non-condensing)
Packing Content	Carton size: 609 x 581 x 362 (mm) Packing Capacity: 20pcs  Including: IO Shield x 1 (P/N: 12AIO-MDH112-00R) SATA Cable x 2 (P/N: 12CF1-2SAT1B-01R)
Order Information	9MQ370AMNR-SI (Bulk Packing)

GIGAIPC reserves the right to modify or change technical data without prior notice.



## Block Diagram



## Optional Kit

Part No.	Description	Quantity
25ST0-047520-C1R	CPU Cooler	1
12KRH-0A1156-00R	CPU Cooler Backplate	1

GIGAIPC reserves the right to modify or change technical data without prior notice.