

uATX-Q47EA (MQ47EAM)

Micro-ATX with Intel® Q470E Chipset, support 11th/10th Generation Intel® Core™ Processors, Dual channel DDR4 memory, PCIe, 4 x COM, 16 x USB, 4 x SATA 6Gb/s



Features

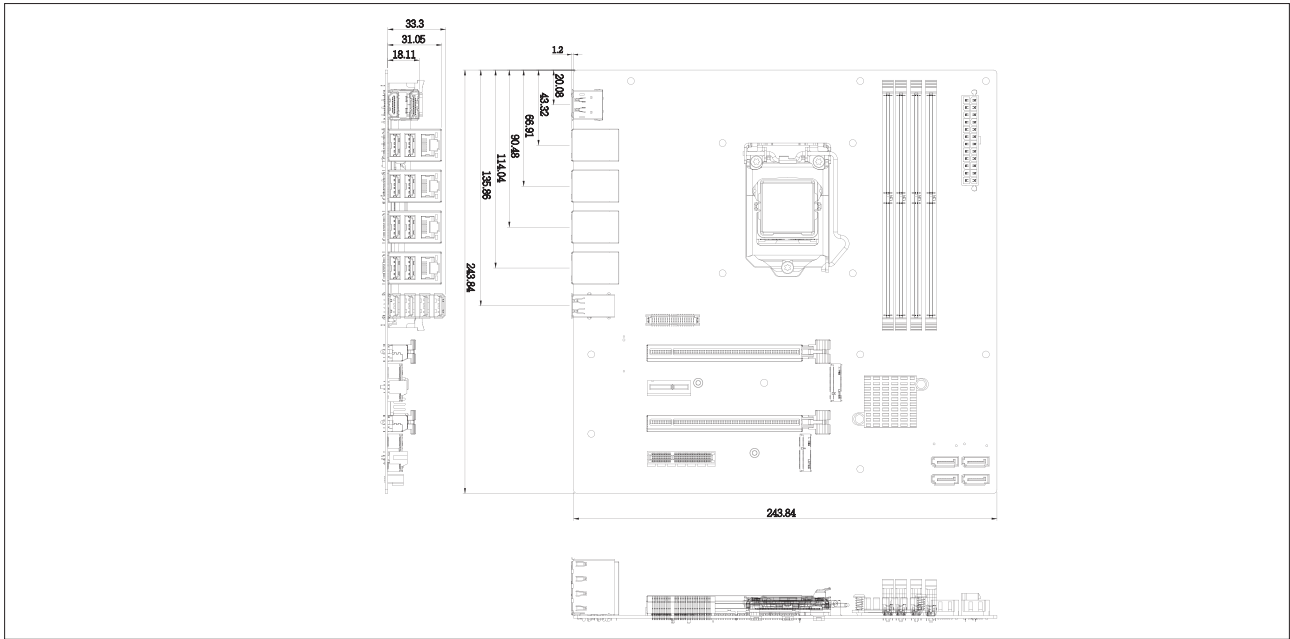
- Micro ATX form factor
- Support 11th/10th Generation Intel® Core™ Processors
- Intel® Q470E Express Chipset
- Dual Channel Non-ECC Unbuffered DDR4, 4 x DIMMs
- 4 x GbE LAN Ports
- 4 x SATA 6Gb/s Ports
- Ultra-Fast M.2 with PCIe Gen3 x4 interface
- HDMI 1.4, Display port, VGA, LVDS for multiple displays
- Realtek® Audio Codec
- Up to 4 x PCIe Gen3 expansion slots
- 16 x USB Ports
- 1 x COM header (RS-232/422/485 & RI/5V/12V)
- 1 x COM header (RS-232 & RI/5V/12V)
- 2 x COM headers (RS-232)

Specifications

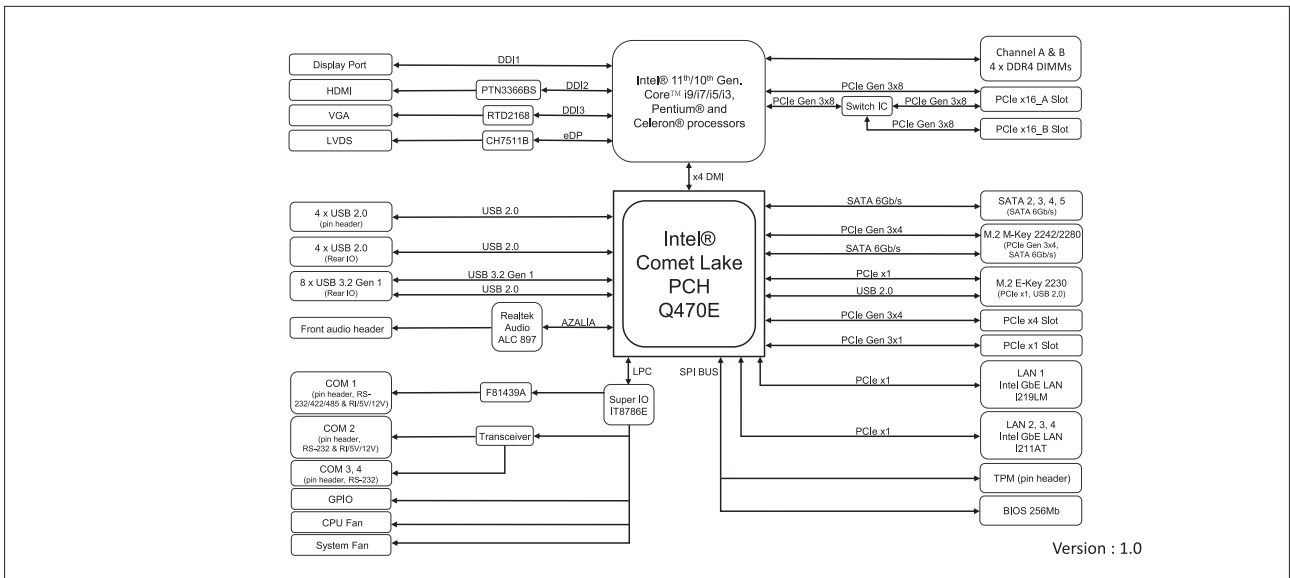
Form Factor	Micro ATX 244W x 244D (mm)
CPU	Support for 11th/10th Generation Intel® Core™ i9/i7/i5/i3 processors, Pentium® & Celeron® processors in the LGA1200 package TDP under 95W
Socket	1 x LGA 1200
Chipset	Intel® Q470E Express Chipset
Memory	4 x DDR4 DIMM sockets, Max. Capacity 128 GB Support Dual Channel DDR4 2933/2666 MHz memory modules
Ethernet	4 x GbE LAN Ports (1 x Intel® I219LM and 3 x Intel® I211AT)
Video	Integrated Graphics Processor – depends on CPU: 1 x HDMI 1.4 port, supporting a maximum resolution of 4096x2160 @30Hz 1 x DP 1.4 port, supporting a maximum resolution of 4096x2160 @60Hz 1 x VGA port, supporting a maximum resolution of 1920x1200 @60Hz 1 x LVDS port, supporting a maximum resolution of 1920X1080 @60Hz (3 independent display outputs)
Audio	Realtek® Audio Codec
Storage	4 x SATA 6Gb/s Ports (RAID 0/1/5/10)
Expansion Slots	1 x PCIe x16 (Gen 3x16)(PCIEX16_A) * The PCIEX16_A slot shares bandwidth with the PCIEX16_B slot. * The PCIEX16_A slot operates at up to x8 mode when a device is installed in the PCIEX16_B slot. 1 x PCIe x16 (Gen 3x8)(PCIEX16_B) 1 x PCIe x4 (Gen3 x4) 1 x PCIe x1 (Gen3 X1) 1 x 2230 M.2 E-Key (PCIe x1 + USB2.0) 1 x 2280/2242 M.2 M-Key (PCIe x4, SATA 6Gb/s)

Internal I/O	1 x 24-pin ATX main power connector 1 x 8-pin ATX 12V power connector 1 x CPU fan header 1 x System fan header 1 x Front panel header 1 x Front panel audio header 1 x VGA header 1 x Backlight Control header 1 x AT/ATX mode select header 4 x USB 2.0 headers 1 x COM header (RS-232/422/485 & RI/5V/12V) 1 x COM header (RS-232 & RI/5V/12V) 2 x COM headers (RS-232) 1 x GPIO (8 bits) & SMBus header 1 x Buzzer 1 x Clear CMOS jumper
Rear I/O	1 x HDMI 1 x Display Port 4 x RJ45 LAN Ports 8 x USB 3.2 Gen 1 4 x USB 2.0
TPM	1 x TPM header
OS Compatibility	Windows 10 (x64)
Operating Properties	Operating temperature: 0°C to 60°C Operating humidity: 0-90% (non-condensing) Non-operating temperature: -40°C to 85°C Non-operating humidity: 0%-95% (non-condensing)
Packing Content	Carton size: 360 x 354 x 390 (mm) Packing Capacity: 5pcs Single Box size: 350 x 330 x 65 (mm) Including: IO Shield x 1 (P/N: 12AIO-MQ47EA-00R) SATA Cable x 2 (P/N: 12CF1-2SAT1B-01R)
Order Information	9MQ47EAMMR-SI (Box packing)

GIGAIPC reserves the right to modify or change technical data without prior notice.



Block Diagram



Optional Kit

Part No.	Description	Quantity
9CTM000NR-00	TPM 2.0 module	1

GIGAIPC reserves the right to modify or change technical data without prior notice.