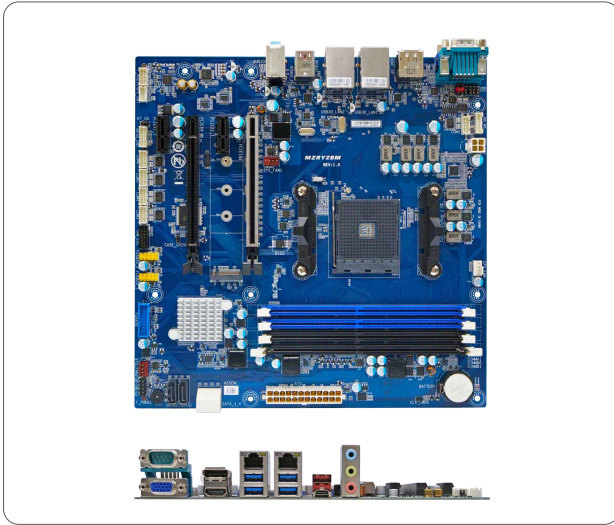


uATX-RYZEN (MZRYZBM)

Micro-ATX support AMD® Ryzen2 Processor, Dual channel DDR4 memory, PCIe slot , 6 x COM , 12 x USB, 4 x SATA 6Gb/s



Features

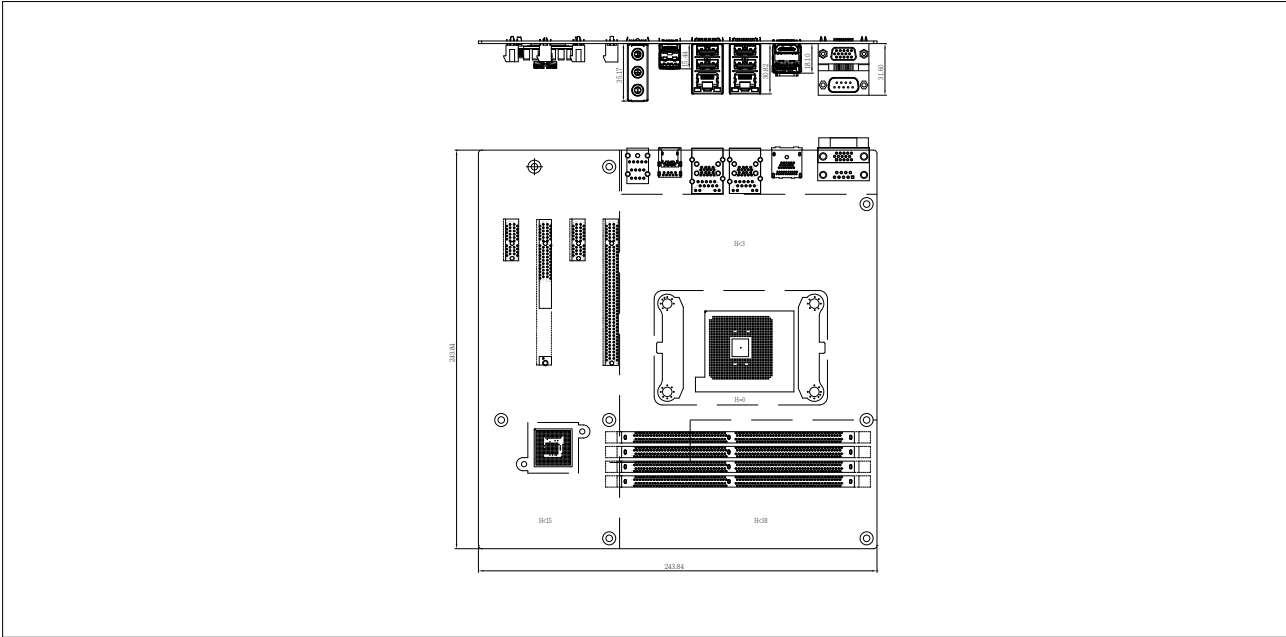
- Micro ATX form factor
- Support AMD® Ryzen 2 Processors
- AMD® B450
- Dual Channel DDR4, 4 x DIMMs
- 2 x GbE LAN Ports
- 4 x SATA 6Gb/s Ports
- HDMI, Display Port, D-Sub ports for multiple display
- 1 x COM Port (RS-232/422/485 & RI/5V/12V)
- 5 x COM Ports (RS-232)

Specifications

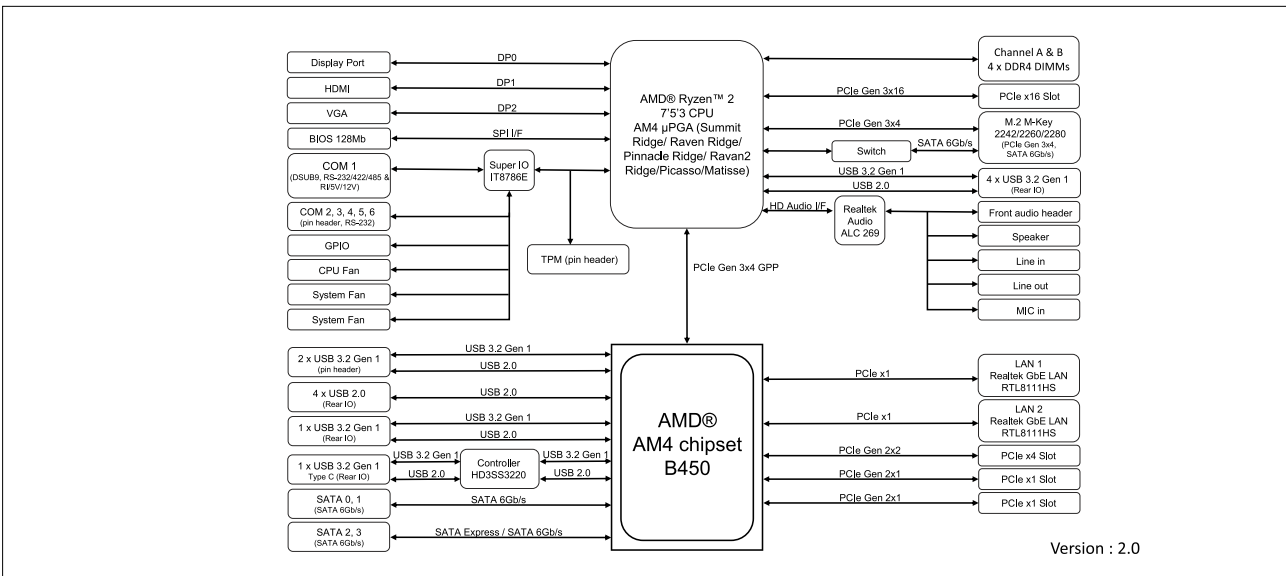
Form Factor	Micro ATX 244W x 244D (mm)
CPU	Support AMD® RYZEN™ 2 7'5'3 CPU AM4 μPGA (Summit Ridge/Raven Ridge/Pinnacle Ridge/ Ravan2 Ridge/Picasso/Matisse) TDP under 65W
Socket	1 x Socket AM4
Chipset	AMD B450
Memory	4 x DDR4 DIMM sockets, Max. Capacity 64 GB Support Dual channel DDR4 2666/2400/2133 MHz memory modules
Ethernet	2 x GbE LAN Ports (Realtek® RTL8111HS)
Video	Integrated Graphics Process - Radeon™ Vega 11/8/3 Graphics: 1 x HDMI 1.4 1 x Display Port 1 x VGA (3 independent display outputs)
Audio	Realtek® Audio Codec
Storage	4 x SATA 6Gb/s Ports
Raid	RAID/0/1/10
Expansion Slots	1 x PCIe x16 (Gen3 x16) 1 x PCIe x4 (Gen2 x2) 2 x PCIe x1 (Gen2 x1) 1 x 2280/2260/2242 M.2 M-Key (PCIe x4, SATA 6Gb/s)

Internal I/O	1 x 24-pin ATX main power connector 1 x 4-pin ATX 12V power connector 1 x CPU fan header 2 x System fan headers 1 x Front panel header 1 x Front audio header 1 x 2W Speaker out header 4 x USB 2.0 headers 2 x USB 3.2 Gen 1 headers 5 x COM headers (RS-232) 1 x PS/2 Keyboard/Mouse Connector 1 x GPIO (8 bits) & SMBus header 1 x Clear CMOS jumper 1 x Buzzer 1 x AT/ATX mode select jumper
Rear I/O	3 x Audio Jacks (Line in, Line out, Mic in) 1 x COM Port (RS-232/422/485 & RI/5V/12V) 1 x HDMI 1 x Display Port 1 x VGA 2 x RJ45 LAN Ports 4 x USB 3.2 Gen 1 1 x USB 3.2 Gen 2x1 1 x USB 3.2 Gen 2x1 (Type C)
TPM	1 x TPM header
OS Compatibility	Windows 10 (x64)
Operating Properties	Operating temperature: 0°C to 60°C Operating humidity: 0-90% (non-condensing) Non-operating temperature: -20°C to 70°C Non-operating humidity: 0%-95% (non-condensing)
Packing Content	Carton size: 609 x 581 x 362 (mm) Packing Capacity: 20pcs Including: IO Shield x 1 (12AIO-MZRYZO-00R)
Order Information	9MZRYZBMNR-SI (Bulk Packing)

GIGAIPC reserves the right to modify or change technical data without prior notice.



Block Diagram



Optional Kit

Part No.	Description	Quantity
9CTM000NR-00	TPM 2.0 module	1

GIGAIPC reserves the right to modify or change technical data without prior notice.