

Support

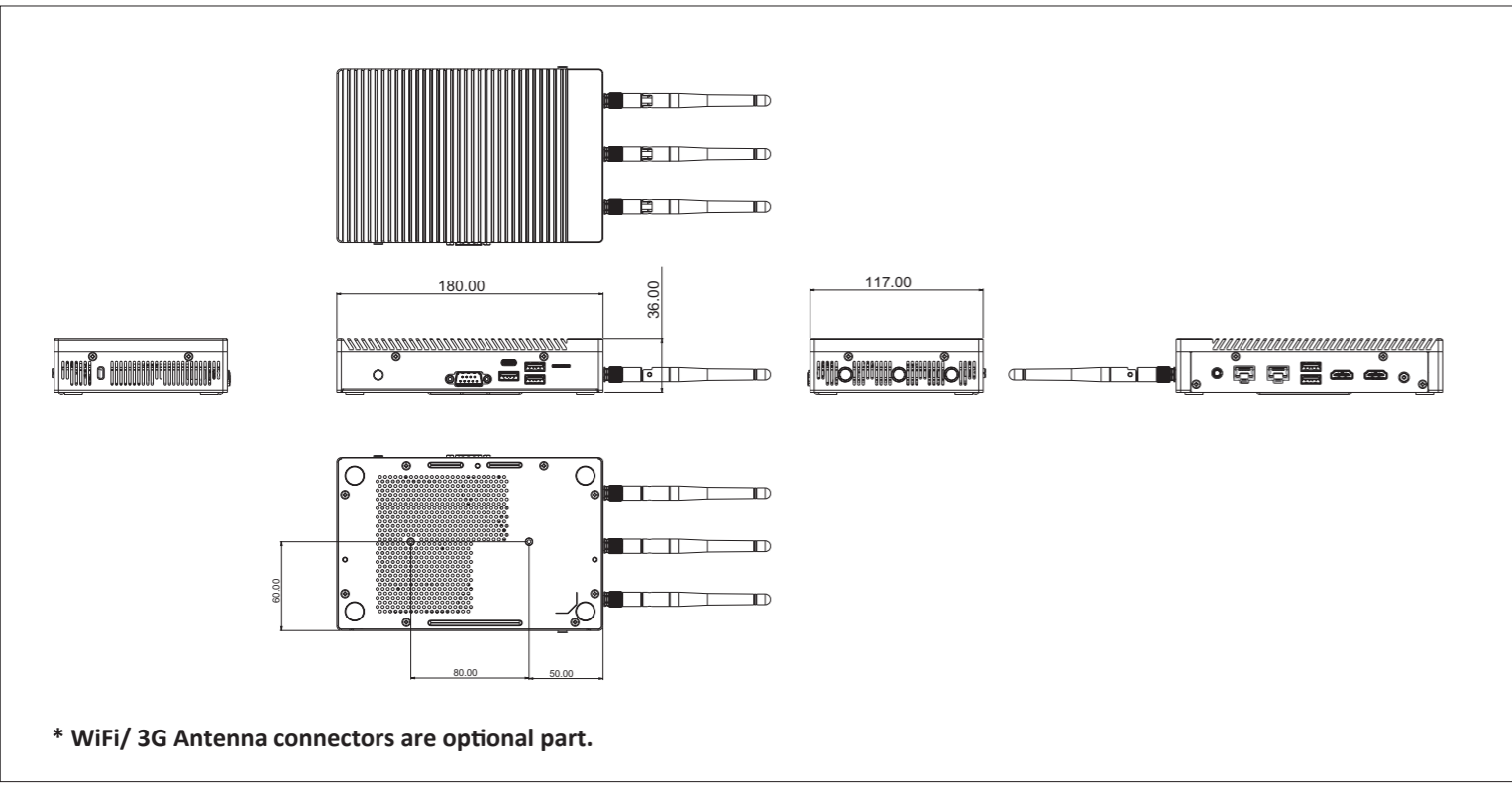
Please visit <http://www.gigaipc.com> to find QBIX-Plus warranty information from the drop down list.

- For a list of tested memory, M.2 SSD, 3G module, wireless adapters and OS supported, go to: <http://www.gigaipc.com>
- To download the latest drivers and BIOS updates, go to: <http://www.gigaipc.com>
- For product support, go to: <http://www.gigaipc.com>

Safety and Regulatory Information

Risk of explosion if the battery is replaced with an incorrect type. Batteries should be recycled where possible. Disposal of used Batteries must be in accordance with local environmental regulations.

Dimension



Package Contents



- Optional Kit**
- Internal Antenna 90mm : 25CA0-090003-A55
 - Internal Antenna 120mm : 25CA0-120002-A55
 - Internal Antenna 120mm : 25CA0-120003-A55
 - WiFi module : 25FC7-3165N0-10R
 - Antenna_WiFi x 2 : 25CA0-111000-A55
 - Antenna_3G x 1 : 25CA0-111001-A55

QBIX-Plus-KBLA7100-A1 Industrial system with Intel® Core™ i3-7100U Processor

Quick Start Guide

Getting Familiar with Your Unit

[Front]
 PWR button w/LED 2 x USB 3.0 2 x USB 3.0 Micro SD
 RJ-45 for COM Port*
 *Supports RS232/422/485 (w/o RI)

[Rear]
 2 x RJ-45 (10/100/1000Mbps) 2 x HDMI-out
 Headphone & Microphone 2 x USB 3.0 19V DC-in

[Right]
 Kensington Lock

[Left]
 3G antenna connector (Optional Parts)
 WiFi antenna connector (Optional Parts)

Note: Wireless module inclusion may vary based on local distribution.
 注意：根据各地经销商之产品规格配置，有些市场将不提供预载的无线模块。

Operating Temperature:
 0°C to +40°C : With standard temperature WiFi module / 3G module / M.2(2280) / DDR3L SO-DIMM.
 0°C to +50°C : With extended temperature WiFi module / 3G module / M.2(2280) / DDR3L SO-DIMM.

TPM

TRIGGER GPIO PWR-BUTTON

A) WiFi module connector	C) M.2 2280 SSD connector (SATA only)
B) 3G module connector	D) 2 x DDR4 SO-DIMM sockets

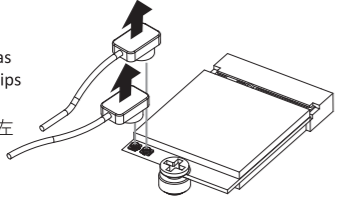
PIN Definition

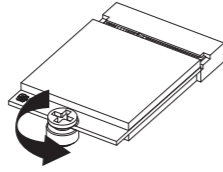
TRIGGER_PIN : Trigger Pin	PWR_BT : Power Button	GPIO_CNT : GPIO	TPM_LPC : TPM
1 2	9 1	12 10 8 6 4 2	2 12 14
11 12	10 2	11 9 7 5 3 1	1 11 13
1 Trigger	1 Power Switch	1 GPO1	1 NC
2 Ground	2 Ground	2 GPI1	2 3.3V (Stand by)
	3 Power LED (+)	3 GPO2	3 PLTRST_N
	4 Power LED (-)	4 GPI2	4 3.3V
	5 NC	5 GPO3	5 LAD0
	6 SATA LED	6 GPI3	6 SERIRQ_3.3
	7 NC	7 GPO4	7 LAD1
	8 NC	8 GPI4	8 TPM_DET
	9 3.3V	9 SMB_CLK	9 LAD2
	10 NC	10 SMB_DATA	10 NC

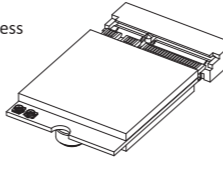


At the end of its serviceable life, this product should not be treated as household or general waste. It should be handed over to the applicable collection point for the recycling of electrical and electronic equipment, or returned to the supplier for disposal.

A) Wireless Module: How to Safely Remove the Module

- 

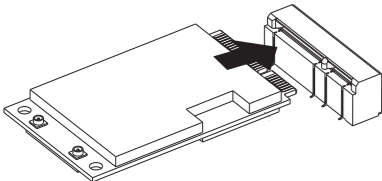
Disconnect the two antennas by manually lifting off the clips that hold them in place.
向上移除連接於無線模組左側頂端天線。
- 

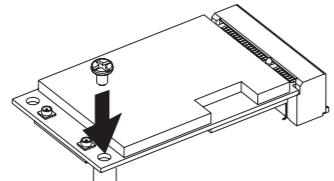
Remove the screw in the middle.
鬆開固定於無線模組中央頂端的螺絲。
- 

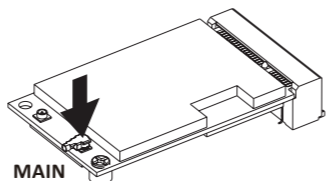
Carefully pull the wireless module from the slot.
小心的把無線模組從M.2插槽拔除。

依據低功率電波輻射性電機管理辦法【第十二條】經型式認證合格之低功率射頻電機，非經許可公司、商號或使用者均不得擅自變更頻率、加大功率或變更原設計之特性及功能。【第十四條】低功率射頻電機之使用不得影響飛航安全及干擾合法通信；經發現有干擾現象時，應立即停用，並改善至無干擾時方得繼續使用。前項合法通信指依電信法規定作業之無線電通信。低功率射頻電機須忍受合法通信或工業、科學及醫療用電波輻射性電機設備之干擾。」

B) Optional 3G Module Installation: How to Safely Install a 3G Module

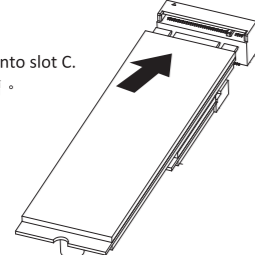
- 

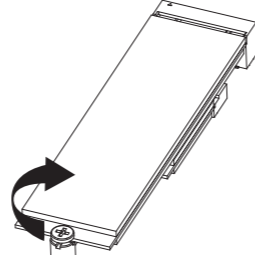
Carefully insert the 3G module into slot B.
小心的把3G模組安裝於圖示B插槽。
- 

The module is secured in place with a small screw in the right corner.
使用包裝隨附的螺絲將3G模組固定。
- 

Plug the antenna into the 3G module.
小心的將機殼內3G天線扣入模組上的3G天線MAIN接口。

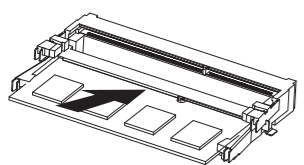
C) M.2 SSD: How to Install the M.2 2280 SSD

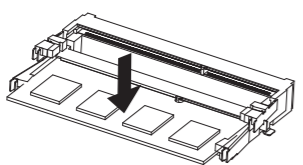
- 

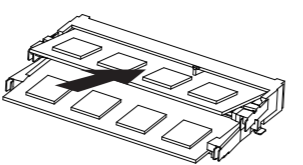
Carefully insert the M.2 SSD into slot C.
小心的安裝M.2 SSD於C插槽。
- 

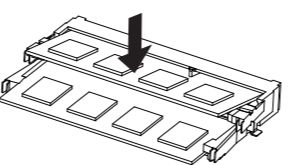
The M.2 SSD is secured in place with a small screw.
使用包裝隨附的螺絲固定M.2 SSD。

D) Memory Installation : DDR4 SO-DIMM sockets

- 

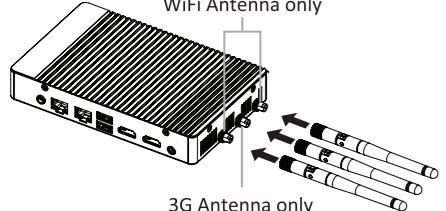
Carefully insert SO-DIMM memory modules.
小心並由下至上安裝SO-DIMM記憶體於記憶體插槽。
- 

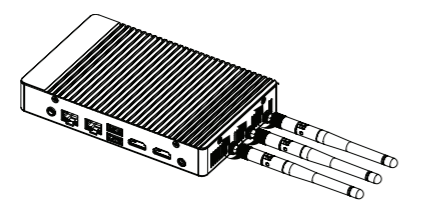
Push down until the modules click into place.
當記憶體固定於插槽後，再輕輕下壓至定點。
- 

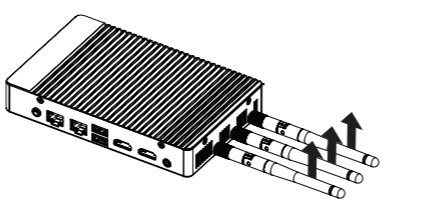
Carefully insert SO-DIMM memory modules.
安裝下層記憶體後，重覆前述動作安裝上層記憶體。
- 

Push down until the modules click into place.
當記憶體固定於插槽後，再輕輕下壓至定點。

Antenna Installation (Antenna is optional part)

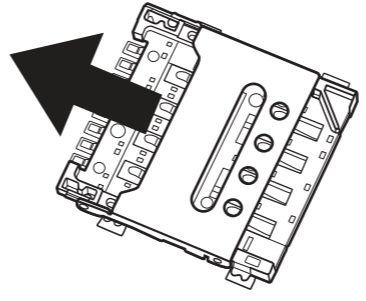
- 

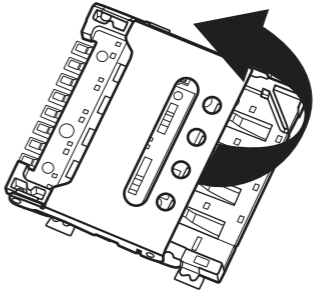
Carefully insert the antennas into the connectors. Ensure that the WiFi antennas are inserted into the left and right connectors and the 3G antenna is inserted into the middle connector.
小心的將天線插入天線插孔中。Wi-Fi天線接頭請插入左邊和右邊的插孔，而3G天線接頭是中間的插孔。
- 

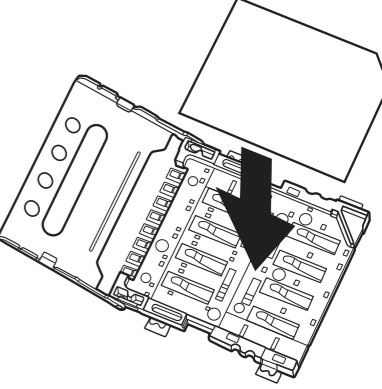
Turn the antennas clockwise until they are completely secure on the connectors.
握住天線接頭底端，按順時針方向將天線旋入插孔中牢牢固定。
- 

Flip up the antenna heads so that they are perpendicular to the machine.
栓緊後請將天線拉起朝上呈垂直狀。

SIM Card Installation

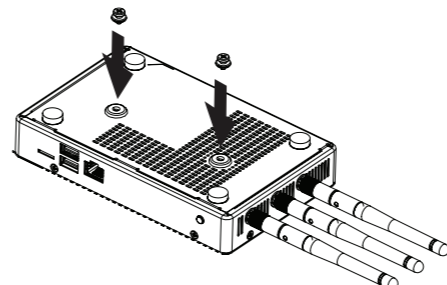
- 

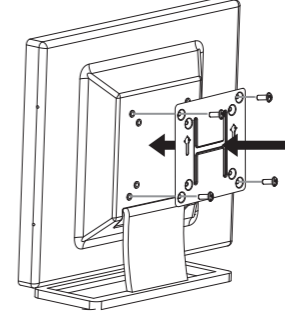
Carefully push the SIM card slot cover outwards.
輕輕按壓，使SIM卡保護蓋自動彈出。
- 

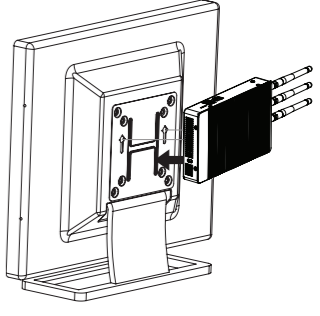
Flip open the SIM card slot cover.
打開SIM卡保護蓋。
- 

Place the SIM card into the slot and resecure the SIM card slot cover.
將SIM卡放入卡槽後，再次輕輕按壓以闔上SIM卡保護蓋。

VESA Bracket

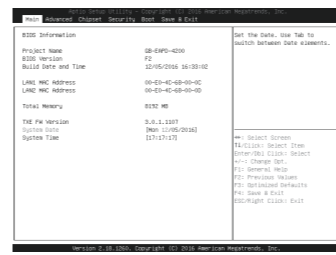
- 


Attach the screws provided on the underside of the QBIX-Plus.
安裝隨附的VESA支撐架螺絲於QBIX-Plus底部。
- 

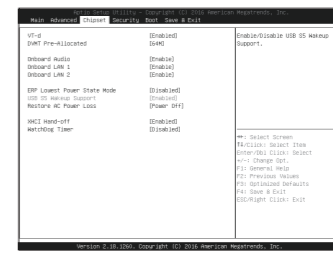
Attach the VESA mounting plate to the rear of a compatible display using the screws provided.
安裝隨附的VESA支撐架於支援VESA支撐架的電腦螢幕或電視機後背。
- 


The QBIX-Plus can now be mounted by sliding the device into place.
將已安裝VESA支撐架螺絲的BRIX插入VESA支撐架的滑軌孔，向下壓至定位點後即可固定。

USB Power On Function: Allows Device Power-on Via USB. Useful When Mounted Behind a Display or TV

- 

Press "Del" during device start up to enter BIOS.
開機後按啟Del鍵進入BIOS設定畫面。
- 

Select "Chipset" from the menu.
在BIOS主選單選取"Chipset"。
- 

Configure the "USB S5 Wakeup Support" setting to "Enable".
進入Chipset的USB S5 Wakeup Support選項，手動控制將其"Enable"。
- 

Select "Save and Exit" from the menu, and press "Save Changes and Reset".
在BIOS主選單選取"Save and Exit"，再進入"Save Changes and Reset"選項，存儲設定並離開BIOS選單重新開機。

System Requirements
- Windows 10

系統需求
- Windows 10

Note: 'USB Power On' functionality in Windows 10 requires an additional Windows patch. This is provided on **GIGAIPC's** official website labeled 'USB Power-On Patch'. Your **GIGAIPC QBIX-Plus** can be powered on via a connected USB device such as a keyboard or mouse, offering greater convenience when mounted behind a display or monitor.

注意：在Windows 10或以上的版本環境下需要額外的應用程式來啟動"USB Power On"功能。你可以透過技嘉官網的產品支援與更新下載"USB Power-On Patch"來執行。USB Power On提供了方便的開機功能，使用者可以透過連接到 **QBIX-Plus** 上的USB裝置啟動 **QBIX-Plus**；讓安裝於顯示器後方的 **QBIX-Plus** 更方便使用。

單元 Unit	限用物質及其化學符號 Restricted substances and its chemical symbols					
	鉛 Lead (Pb)	汞 Mercury (Hg)	鎘 Cadmium (Cd)	六價鉻 Hexavalent chromium (Cr ¹⁶)	多溴聯苯 Polybrominated biphenyls (PBB)	多溴二苯醚 Polybrominated diphenyl ethers (PBDE)
電路板總成	-	0	0	0	0	0
外殼	0	0	0	0	0	0
電源供應器	-	0	0	0	0	0
線材	-	0	0	0	0	0

備考 1. "超出0.1 wt %"及"超出0.01 wt %" 係指限用物質之百分比含量超出百分比含量基準值。
 Note 1 : "Exceeding 0.1 wt %" and "exceeding 0.01 wt %" indicate that the percentage content of the restricted substance exceeds the reference percentage value of presence condition.
 備考 2. "0" 係指該項限用物質之百分比含量未超出百分比含量基準值。
 Note 2 : "0" indicates that the percentage content of the restricted substance does not exceed the percentage of reference value of presence.
 備考 3. "-" 係指該項限用物質為排除項目。
 Note 3 : The "-" indicates that the restricted substance corresponds to the exemption.