

QBIX-EHLA6412-A1

Industrial System with Intel® Celeron® J6412 Processor/ Lockable DC Connector/ 2 x HDMI / 2 x LAN Ports/
1 x Combo Audio Jack (Headphone & Headset)



Features

- System Size: 118W x 109.4D x 44.4H (mm)
- Intel® Celeron® J6412 Processor
- 1 x COM Port (RS-232)
- Single Channel DDR4, 1 x SO-DIMM
- 2 x HDMI for Dual display
- 2 x GbE LAN Ports

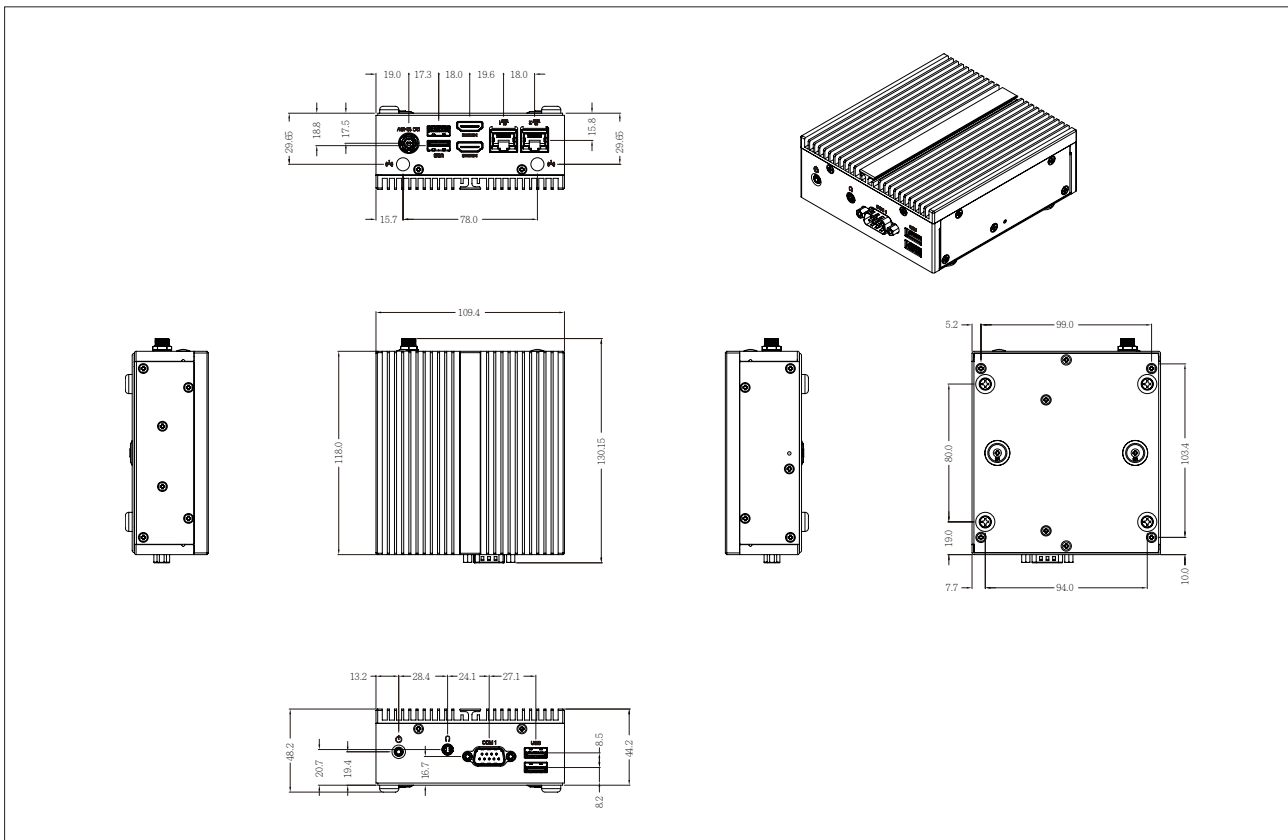
Specifications

Dimension	System Size: 118W x 109.4D x 44.4H (mm)
CPU	Intel® Celeron® J6412 Processor 10nm, 4 cores, 4 threads, up to 2.60 GHz TDP 10W
Memory	1 x DDR4 SO-DIMM socket, Max. Capacity 32 GB Support Single Channel DDR4 3200 MHz memory modules
Ethernet	2 x GbE LAN Ports (Intel® I210AT)
Graphic support	Integrated Graphics Processor - Intel® UHD Graphics for 10th Gen Intel® Processors : 2 x HDMI 2.0 port, supporting a maximum resolution of 4096x2160 @60Hz (2 independent display outputs)
Audio	Realtek® Audio codec
Storage	—
Expansion Slots	1 x 2280 M.2 M-Key (PCIe x2, SATA 6Gb/s) 1 x 2230 M.2 E-Key (WiFi/BT)
Front I/O	2 x USB 3.2 Gen 2x1 1 x COM Port (RS-232) 1 x Combo Audio Jack (Headphone & Headset) 1 x Power button with LED
Rear I/O	2 x RJ45 LAN Ports 2 x USB 3.2 Gen 2x1 2 x HDMI 2 x External Antenna Holes (Optional) 1 x Screw Type DC Jack (+12V~19VDC)
Side I/O	—
Power	+12V~19VDC (Adapter 19V/65W)
Operation temperature	Operating temperature: 0°C to 50°C Operating humidity: 0-90% (non-condensing) Non-operating temperature: -40°C to 85°C Non-operating humidity: 0%-95% (non-condensing) Use wide temperature range memory and storage
Vibration During Operation	Operation: IEC 60068-2-64, 3 Grms, random, 5 ~ 500 Hz, 1 hr / Per Axis, With SSD Non-operation: IEC 60068-2-6, 2 G, Sine, 10 ~ 500 Hz, 1 Oct/min, 1 hr / Per Axis
Shock During Operation	Operation: IEC 60068-2-27, 50 G, half sine, 11 ms duration, With SSD

GIGAIPC reserves the right to modify or change technical data without prior notice.

Dimension

Unit: mm



Packing Content

- Carton size: 373 x 294 x 296 (mm)
- Packing Capacity: 8pcs
- Including:
 - Power Cord : Optional (by region)
 - PSU ADP 19V 65W 100-240VAC x 1 (P/N: 25EP0-1065W1-A3S)
 - VESA Bracket x 1 (P/N: 25HB1-TPL021-S8R)
 - VESA Screws x 1 (P/N: 25KSD-000001-S4R)

Order Information

- System : 6BQB6412AMR-SI (Box packing)

2026/04/10

GIGAIPC reserves the right to modify or change technical data without prior notice.